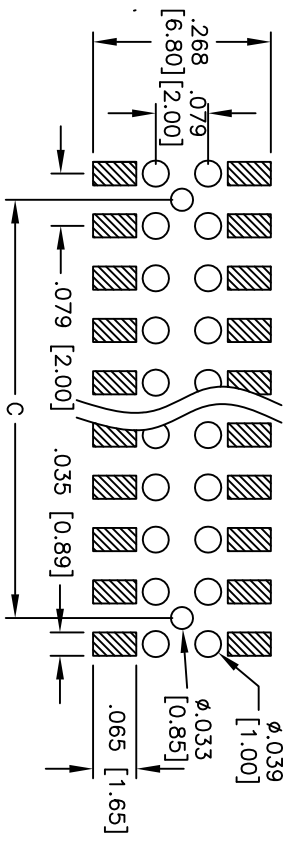
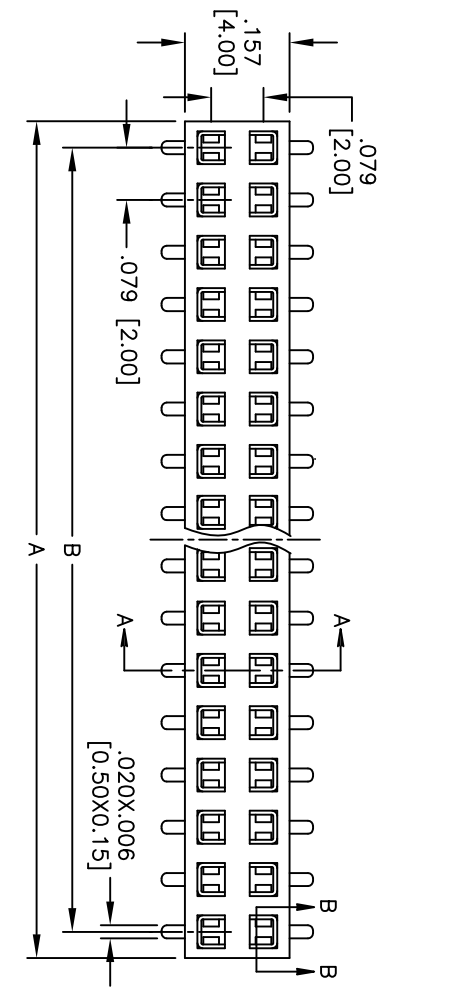
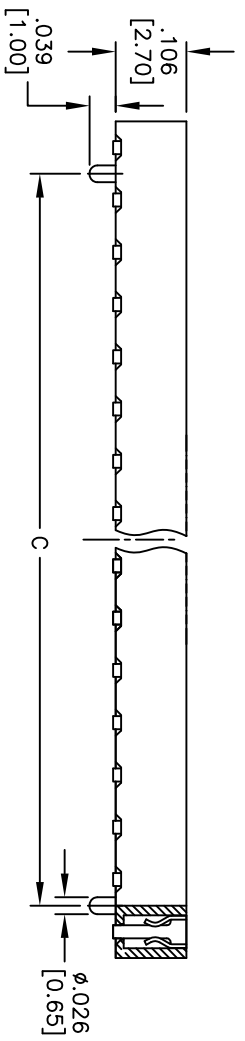


Rev	AWO #	Description	Date	Appr
-		RELEASED	10/05/10	

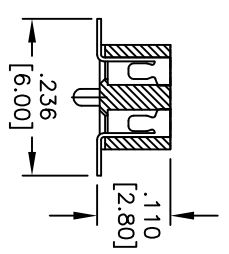
APPROVED: _____
 DATE: _____ TITLE: _____



RECOMMENDED PCB LAYOUT



SECTION B-B



SECTION A-A

SPECIFICATIONS:

- Material: Insulator: Nylon 6T, rated UL 94V-0
- Insulator color: Black
- Contacts: Phosphor Bronze
- Plating: Gold flash over Nickel underplate overall.
- Electrical: Current rating: 2 Amp max.
- Contact resistance: 20 mohms max. initial
- Insulation resistance: 1,000 Mohms min.
- Withstand voltage: 500V AC/DC
- Temperature Rating: Operating temperature: -40°C to +105°C
- Environmental: Lead free, RoHS compliant
- Recommended soldering temp: 260°C for 5 seconds

Positions: 04 thru 80
 A = .079 [2.00] x No. of Positions per Row
 B = .079 [2.00] x No. of Spaces
 C = .079 [2.00] x No. of Positions per Row - .157 [4.00]

ADAM TECH

909 Rahway Avenue, Union, NJ 07083
 Phone: 908-687-5000 Fax: 908-687-5710

TITLE: .079 x .079 DUAL ROW RECEPTACLE STRIP
 .106 [2.70] HEIGHT, SMT, BOTTOM ENTRY, PEGS

UNLESS OTHERWISE SPECIFIED ALL DIMENSIONS ARE INCHES [MM]	
TOLERANCES: EXCEPT AS NOTED	
INCHES	HOLES
.X ± .10	ØX ± .10
.XX ± .020	ØXXX ± .015
.XXX ± .015	ØXXXX ± .010
APPROVALS	DATE
DRAWN	DY
10/05/10	
CHECKED	
APPROVED	

SIZE	PART NO.	REV.
X	2RS2B-A-XX-G-SMT-P	
REF: S00019C	SCALE: NTS	SHEET 1 OF 1

