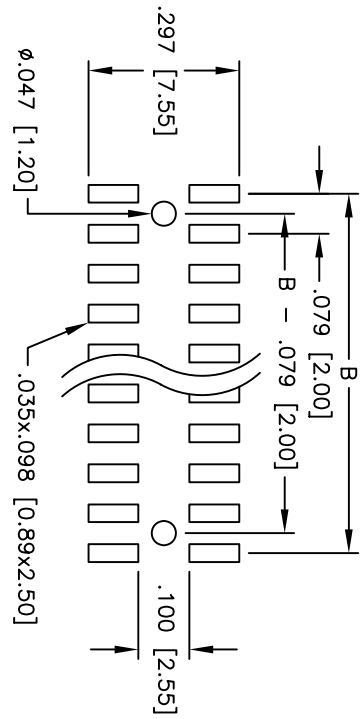
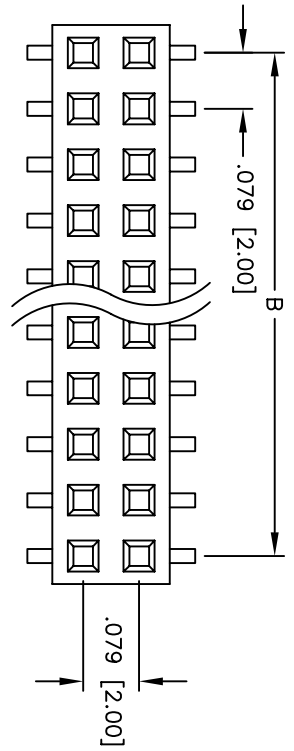
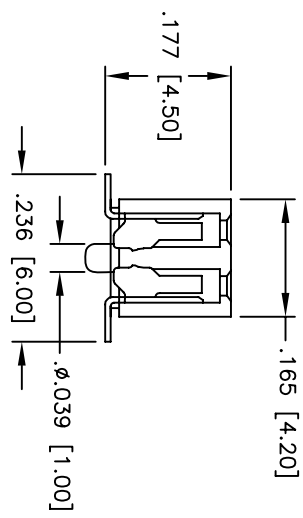
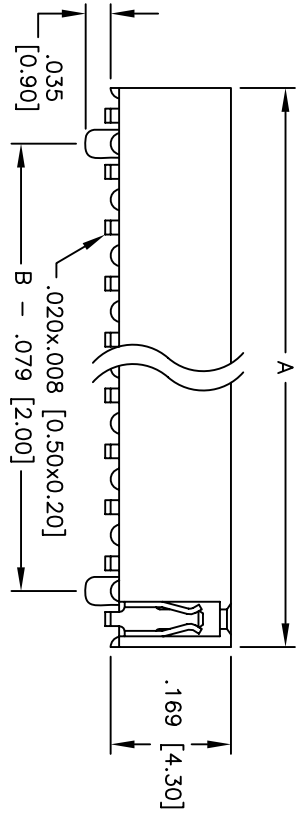


Rev	AWO #	Description	Date	Appr
-		RELEASED	5/27/05	

APPROVED: _____
 DATE: _____ TITLE: _____



RECOMMENDED
PCB LAYOUT



SPECIFICATIONS:

- Material: Insulator: Nylon 46, rated UL 94V-0
- Insulator color: Black
- Contacts: Phosphor Bronze
- Plating: Gold flash over Nickel underplate overall
- Electrical: Operating voltage: 250 VAC max.
- Current rating: 1 Amp max.
- Contact resistance: 20 mohms max. initial
- Insulation resistance: 5,000 Mohms min.
- Dielectric withstanding voltage: 1,000 VAC for 1 minute
- Temperature Rating: Operating temperature: -40°C to +105°C
- Environmental: Lead free, RoHS compliant
- Recommended soldering temp: 260°C for 5 seconds

Positions: 02 thru 80
 A = .079 [2.00] x No. of Positions per Row
 B = .079 [2.00] x No. of Spaces

ADAM TECH

909 Railway Avenue, Union, NJ 07083
 Phone: 908-687-5000 Fax: 908-687-5710

TITLE: .079 X .079 DUAL ROW RECEPTACLE STRIP
 .169 [4.30] HEIGHT, SMT, PEGS

UNLESS OTHERWISE SPECIFIED ALL DIMENSIONS ARE INCHES [MM]		TOLERANCES: EXCEPT AS NOTED	
INCHES		HOLDS	
.X	± .10	ØXX	± .10
.XX	± .020	ØXXX	± .015
.XXX	± .015	ØXXXX	± .010
APPROVALS		DATE	
DRAWN	SS	5/27/05	
CHECKED			
APPROVED			
SIZE	PART NO.	SCALE	REV.
X	2RS2-XX-G-SMT-P	NTS	-
REF:		SHEET	1 OF 1