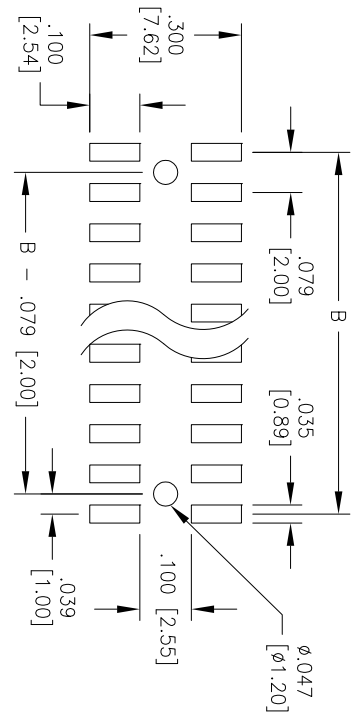
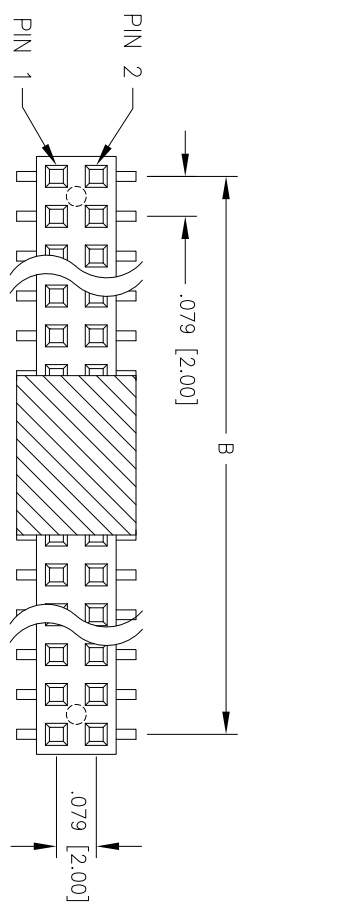
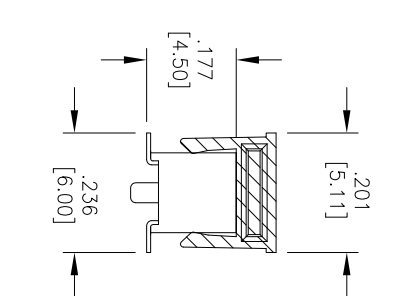
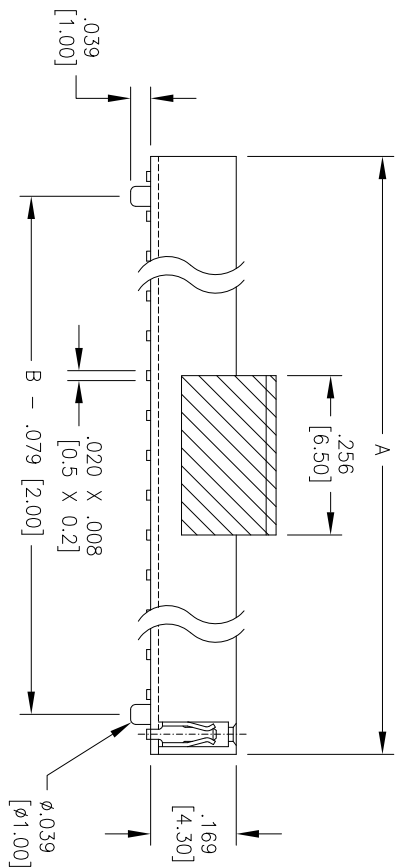


Rev	AWO #	Description	Date	Appr
-		RELEASED	12/22/04	

APPROVED: \_\_\_\_\_  
 DATE: \_\_\_\_\_ TITLE: \_\_\_\_\_



RECOMMENDED PCB LAYOUT



NOTE: PACKAGED ON TAPE & REEL

A = .079 [2.00] X No. of Positions Per Row  
 B = .079 [2.00] x No of Spaces

**SPECIFICATIONS:**

**Material:**  
 Insulator: Nylon 6T, rated UL 94V-0  
 Insulator color: Black  
 Contacts: Phosphor Bronze  
 Plating:  
 Gold Flash over Nickel underplate overall.

**Electrical:**

Operating voltage: 250 VAC max  
 Current rating: 1 Amp max  
 Insulation resistance: 5000 Mohms min @ 500 VDC  
 Dielectric withstanding voltage: 1000 VAC for 1 minute  
 Temperature Rating:  
 Operating temperature: -65°C to +125°C

**Environmental:**

Lead free, RoHS compliant.  
 Recommended soldering temp: 260°C for 5 sec.

UNLESS OTHERWISE SPECIFIED ALL DIMENSIONS ARE INCHES [MM] TOLERANCES: EXCEPT AS NOTED	
INCHES	± .10
.XX	± .020
.XXX	± .015
APPROVALS	DATE
DRAWN	SS
CHECKED	
APPROVED	

TITLE	
2.0mm DUAL ROW RECEPTACLE STRIP	
SMT, ALIGNMENT PEG, PICK UP CAP	
909 Rahway Avenue, Union, NJ 07083	
Phone: 908-687-5000 Fax: 908-687-5710	
SIZE	PART NO.
X	2R92-XX-G-SMT-P-PP-T/R
SCALE:	NTS
SHEET	1 OF 1

**ADAM TECH**