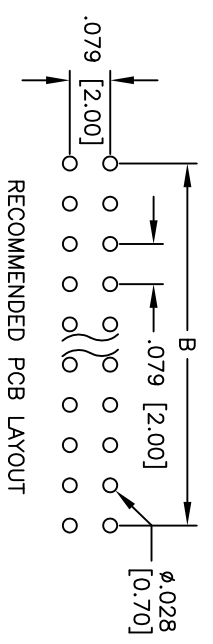
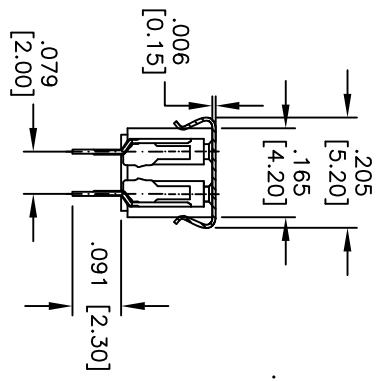
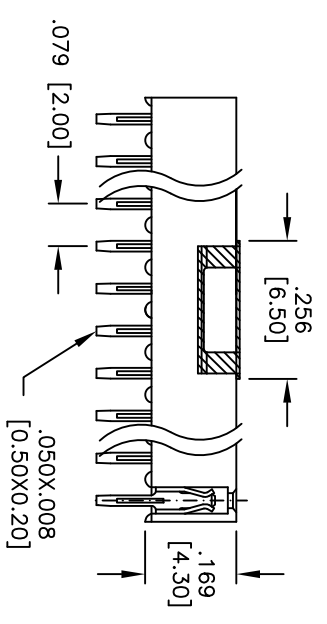
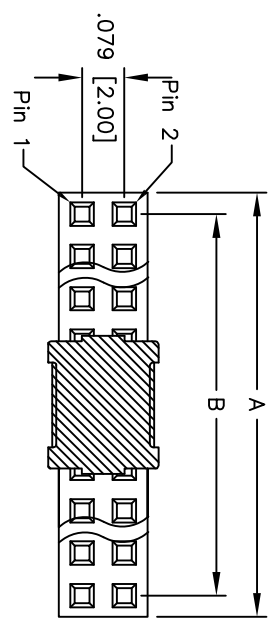


Rev	AWO #	Description	Date	Appr
-		RELEASED	11/11/10	

APPROVED: \_\_\_\_\_  
 DATE: \_\_\_\_\_ TITLE: \_\_\_\_\_



Positions: 02 thru 80  
 A = .079 [2.00] x No. of Positions per Row  
 B = .079 [2.00] x No. of Spaces

**SPECIFICATIONS:**

- Material: Insulator: Hi-Temp thermoplastic, rated UL 94V-0
- Insulator color: Black
- Contacts: Phosphor Bronze
- Plating: Gold flash over Nickel underplate overall
- Electrical:
  - Operating voltage: 250 VAC max.
  - Current rating: 1 Amp max.
  - Contact resistance: 20 mohms max. initial
  - Insulation resistance: 5,000 Mohms min.
  - Dielectric withstanding voltage: 500 VAC for 1 minute
- Temperature Rating:
  - Operating temperature: -40°C to +105°C
  - Environmental: Lead free, RoHS compliant
  - Recommended soldering temp: 260°C for 5 seconds

UNLESS OTHERWISE SPECIFIED  
 ALL DIMENSIONS ARE INCHES [MM]  
 TOLERANCES: EXCEPT AS NOTED

INCHES	HOLES
.XX ± .10	ØXX ± .10
.XX ± .020	ØXX ± .015
.XXX ± .015	ØXXX ± .010

**ADAM TECH**  
 909 Railway Avenue, Union, NJ 07083  
 Phone: 908-687-5000 Fax: 908-687-5710

TITLE: .079 x .079 DUAL ROW RECEPTACLE STRIP  
 .169 [4.30] HEIGHT, GOLD PLATED, HI-TEMP

APPROVALS	DATE	SIZE	PART NO.	SCALE	SHEET 1 OF 1
DRAWN AY	11/1/10	X	2RS2-XX-G-PP-HT	NTS	
CHECKED VW	11/1/10				
APPROVED					

