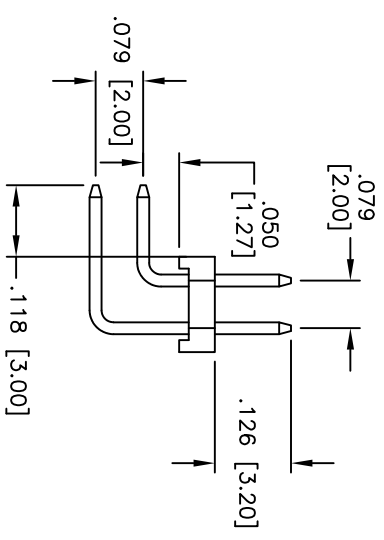
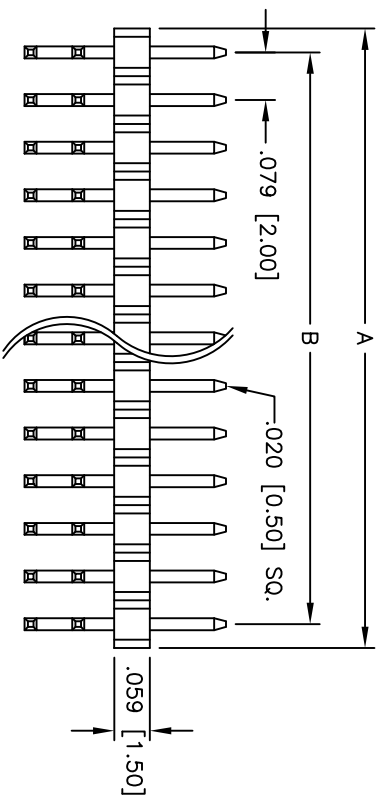
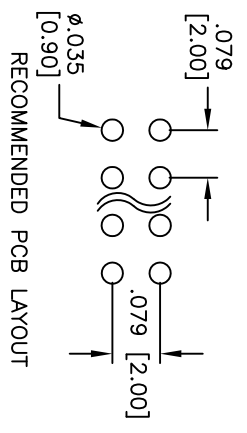
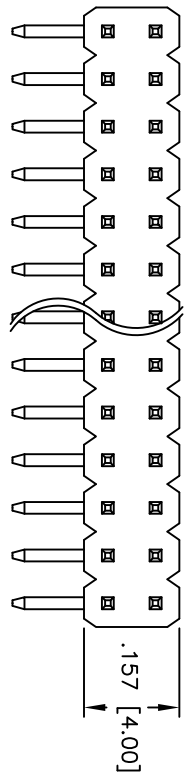


Rev	AWO #	Description	Date	Appr
-	10959	RELEASED	12/7/10	

APPROVED: _____
 DATE: _____ TITLE: _____



SPECIFICATIONS:

Material: Insulator: Hi-temp Nylon, rated UL 94V-0
 Insulator color: Black
 Contacts: Phosphor Bronze

Plating: Gold over Nickel underplate overall

Electrical: Current rating: 2 Amp max
 Contact resistance: 20 mohms max
 Insulation resistance: 1,000 Mohms min
 Dielectric withstanding voltage: 500 VAC for 1 minute
 Temperature Rating: Operating temperature: -40°C to +105°C



Environmental: Lead free, RoHS compliant
 Recommended soldering temp: 260°C for 5 seconds

Positions: 2 thru 40 per row
 A = .079 [2.00] x No. of Positions per row
 B = .079 [2.00] x No. of Spaces

UNLESS OTHERWISE SPECIFIED
 ALL DIMENSIONS ARE IN INCHES [MM]
 TOLERANCES: EXCEPT AS NOTED

INCHES	HOLES
.X ± .10	ØXX ± .10
.XX ± .020	ØXXX ± .015
.XXX ± .015	ØXXX ± .010

APPROVALS

DATE	DATE
12/7/10	
12/7/10	

ADAM TECH

909 Railway Avenue, Union, NJ 07083
 Phone: 908-687-5000 Fax: 908-687-5710

TITLE: .079 [2.00] DUAL ROW PIN HEADER
 RIGHT ANGLE, GOLD PLATED

DRAWN	AY	12/7/10	SIZE	PART NO.	REV.
CHECKED	AH	12/7/10	X	2PH2RB-XX-U-A10959-L-HT	-
APPROVED			REF: S0032T	SCALE: NTS	SHEET 1 OF 1