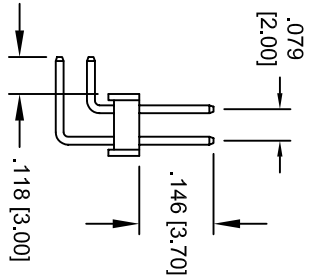
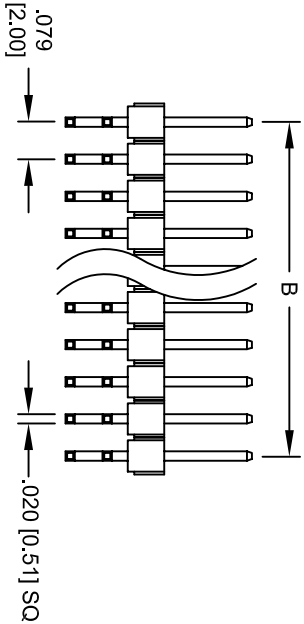
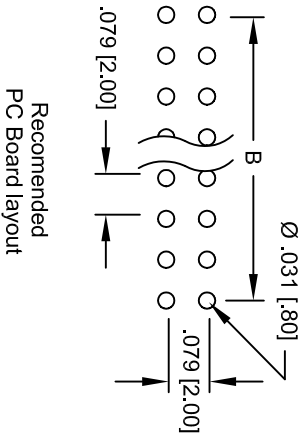
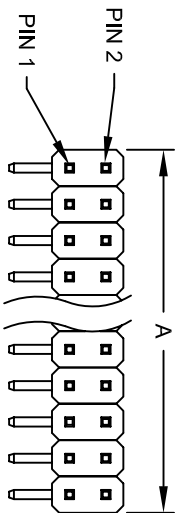


Rev	AWO #	Description	Date	Appr
-		RELEASED	9/20/04	

APPROVED: _____
 DATE: _____ TITLE: _____



A = .079" [2.00] x No. of positions
 B = .079" [2.00] x No. of spaces

SPECIFICATIONS:

Material:

Insulator: PBT, rated UL 94V-0

Insulator color: Black

Contacts: Brass

Plating:

Gold Flash over Nickel underplate on contact area, Tin over Copper underplate on tails

Electrical:

Operating voltage: 250 VAC max

Current rating: 1 Amp max

Contact resistance: 20 mohms max

Insulation resistance: 5000 Mohms min @ 500 VDC

Dielectric withstanding voltage: 1000 VAC for 1 minute

Temperature Rating:

Operating temperature: -55°C to +105°C

UNLESS OTHERWISE SPECIFIED ALL DIMENSIONS ARE IN INCHES [MM]	
TOLERANCES: EXCEPT AS NOTED	
INCHES	HOLES
.X ± .10	ØX ± .10
.XX ± .020	ØXX ± .015
.XXX ± .015	ØXXX ± .010
APPROVALS	DATE
DRAWN	SS
CHECKED	
APPROVED	

ADAM TECH

909 Rahway Avenue, Union, NJ 07083
 Phone: 908-687-5000 Fax: 908-687-5710

TITLE: DUAL ROW PIN HEADER, .079" [2.00mm] PITCH, SEL GOLD PLATED, 2 TO 80 PINS

SIZE	PART NO.	REV.
X	2PH2R-XX-SGA	-
REF:	SCALE: NTS	SHEET 1 OF 1