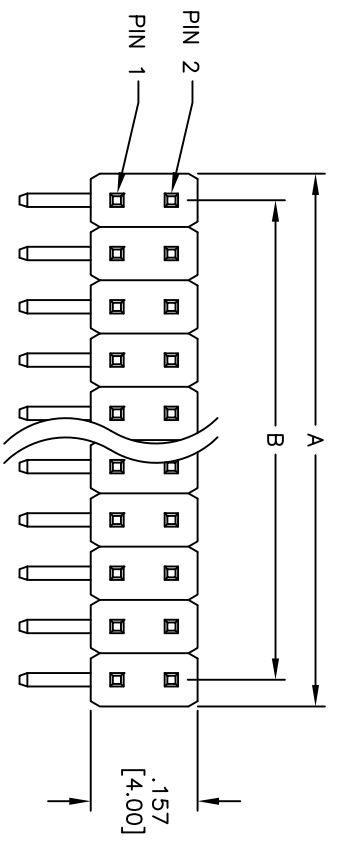
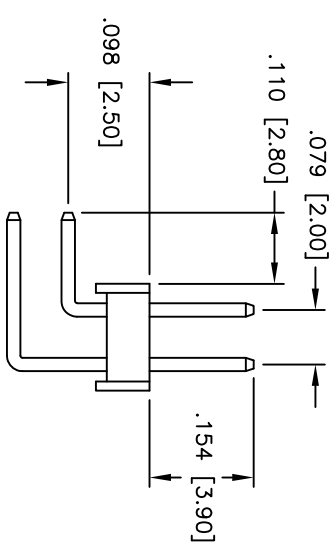
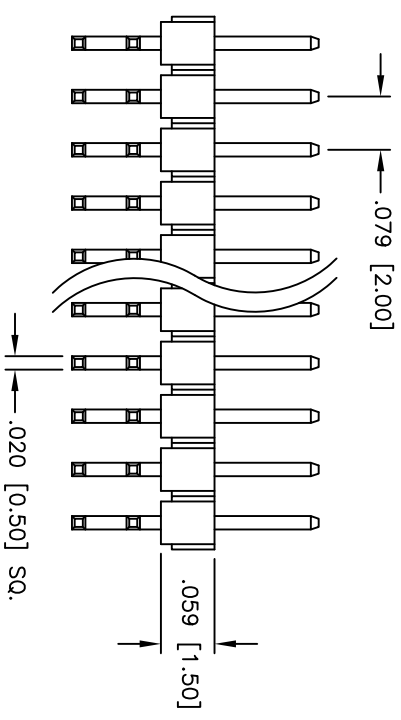
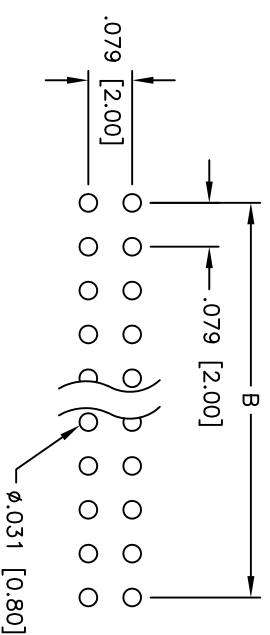


Rev	AWO #	Description	Date	Appr
-		RELEASED	1/6/11	

APPROVED: _____
 DATE: _____ TITLE: _____



RECOMMENDED
PCB LAYOUT



SPECIFICATIONS:

- Material: Insulator: PBT, rated UL 94V-0
- Insulator color: Black
- Contacts: Brass
- Plating: Gold flash over Nickel underplate on contact area, Tin over Copper underplate on tails
- Electrical: Operating voltage: 250 VAC max
- Current rating: 1 Amp max
- Contact resistance: 20 mohms max
- Insulation resistance: 5,000 Mohms min @ 500 VDC
- Dielectric withstanding voltage: 500 VAC for 1 minute
- Temperature Rating: Operating temperature: -40°C to +105°C
- Environmental: Lead free, RoHS compliant
- Recommended soldering temp: 235°C for 5 seconds



Positions: 4 thru 88
 A = .079 [2.00] x No. of Positions per Row
 B = .079 [2.00] x No. of Spaces

UNLESS OTHERWISE SPECIFIED
ALL DIMENSIONS ARE INCHES [MM]
TOLERANCES: EXCEPT AS NOTED

INCHES	HOLES
.X ± .10	ØX ± .10
.XX ± .020	ØXXX ± .015
.XXX ± .015	ØXXX ± .010

APPROVALS

DATE	DATE
AY	1/6/11
VW	1/6/11

ADAM TECH

909 Railway Avenue, Union, NJ 07083
 Phone: 908-687-5000 Fax: 908-687-5710

TITLE: .079 [2.00] DUAL ROW PIN HEADER, LOW RIGHT ANGLE, SELECTIVE GOLD PLATED

DRAWN	AY	1/6/11	SIZE	PART NO.	REV.
CHECKED	VW	1/6/11	X	2PH2R-XX-SGA-L	-
APPROVED			REF: S00039T	SCALE: NTS	SHEET 1 OF 1