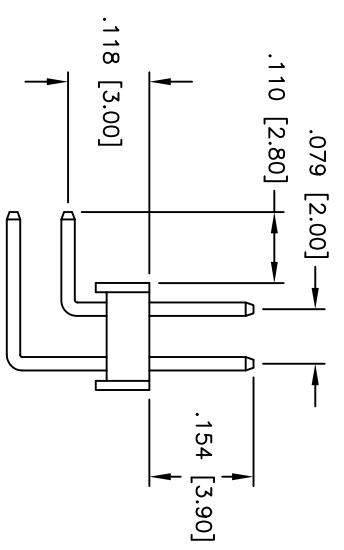
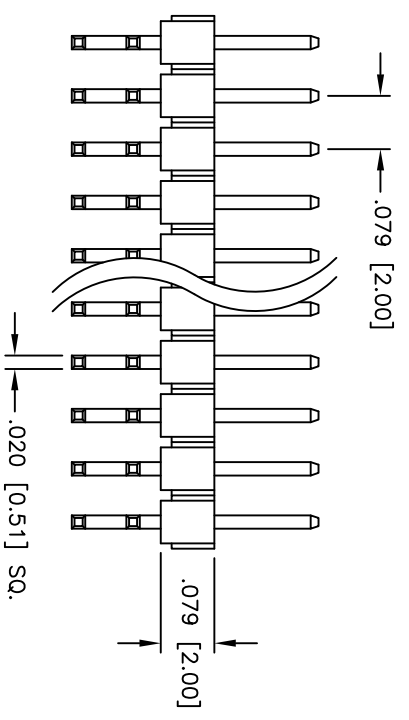
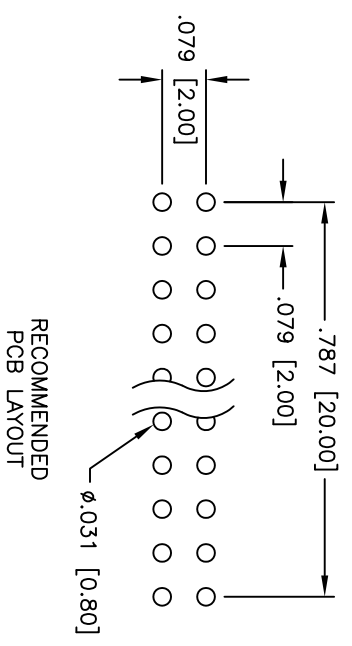
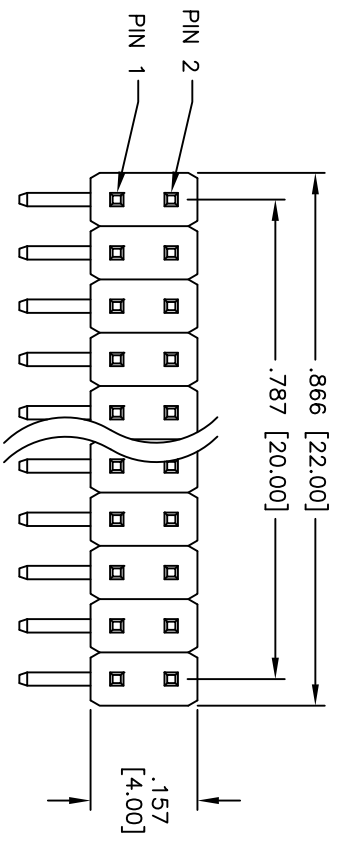


APPROVED: \_\_\_\_\_  
 DATE: \_\_\_\_\_ TITLE: \_\_\_\_\_

| Rev | AWO # | Description           | Date    | Appr |
|-----|-------|-----------------------|---------|------|
| -   |       | RELEASED              | 6/04/10 |      |
| A   |       | REVISED PLATING SPEC. | 6/18/10 |      |



**SPECIFICATIONS:**

Material: Nylon 6T, rated UL 94V-0  
 Insulator color: Black  
 Contacts: Brass  
 Plating (Minimum) :  
 80u" Tin over 20u" Nickel underplate overall

Electrical:  
 Operating voltage: 250 VAC max  
 Current rating: 1 Amp max  
 Contact resistance: 20 mohms max  
 Insulation resistance: 5,000 Mohms min @ 500 VDC  
 Dielectric withstanding voltage: 1,000 VAC for 1 minute  
 Temperature Rating:  
 Operating temperature: -55°C to +105°C  
 Environmental:  
 Lead free, RoHS compliant  
 Recommended soldering temp: 260°C for 5 seconds



|  |             |
|--|-------------|
| UNLESS OTHERWISE SPECIFIED<br>ALL DIMENSIONS ARE INCHES [MM] |             |
| TOLERANCES: EXCEPT AS NOTED                                  |             |
| INCHES   | HOLDS       |
| .X ± .10   | ØX ± .10    |
| .XX ± .020   | ØXX ± .015  |
| .XXX ± .015  | ØXXX ± .010 |
| APPROVALS  | DATE        |
| DRAWN  | DY          |
| CHECKED  |             |
| APPROVED   |             |

**ADAM TECH**  
 909 Railway Avenue, Union, NJ 07083  
 Phone: 908-687-5000 Fax: 908-687-5710

TITLE: .079 [2.00] DUAL ROW PIN HEADER, 22P  
 RIGHT ANGLE, TIN PLATED

SIZE: X PART NO.: 2PH2R-22-TAHT-NU  
 REF: S00039T SCALE: NTS SHEET 1 OF 1