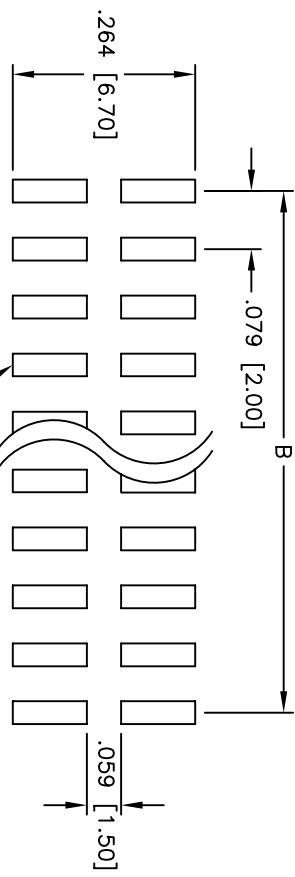
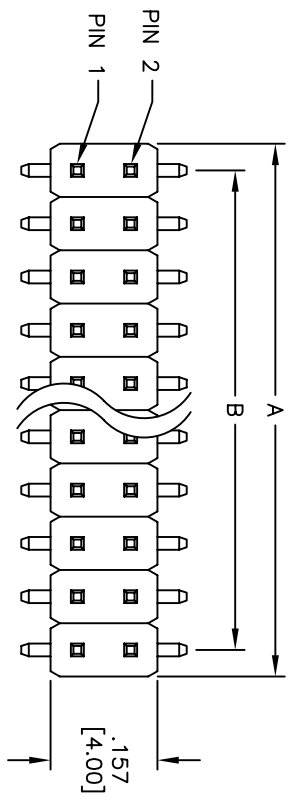
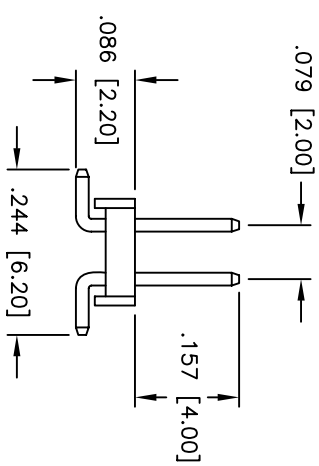
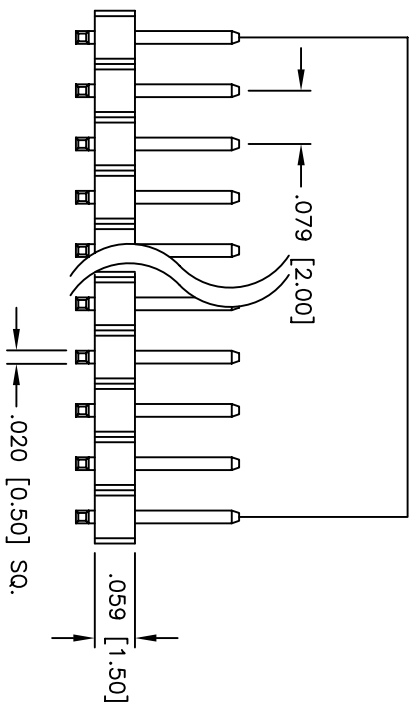


Rev	AWO #	Description	Date	Appr
-	-	RELEASED	8/25/08	

APPROVED: _____
 DATE: _____ TITLE: _____



RECOMMENDED
PCB LAYOUT



SPECIFICATIONS:
 Material: Nylon 6T, rated UL 94V-0
 Insulator color: Black
 Contacts: Brass
 Plating: 15u" Gold over Nickel underplate overall

Positions: 2 thru 80
 A = .079 [2.00] x No. of Positions per Row
 B = .079 [2.00] x No. of Spaces

Electrical:
 Operating voltage: 250 VAC max
 Current rating: 1 Amp max
 Contact resistance: 20 mohms max
 Insulation resistance: 5,000 Mohms min @ 500 VDC
 Dielectric withstanding voltage: 1,000 VAC for 1 minute
 Temperature Rating:
 Operating temperature: -55°C to +105°C
 Environmental:
 Lead free, RoHS compliant
 Recommended soldering temp: 260°C for 5 seconds



ADAM TECH

909 Rahway Avenue, Union, NJ 07083
 Phone: 908-687-5000 Fax: 908-687-5710

TITLE: .079 [2.00] DUAL ROW PIN HEADER
 SURFACE MOUNT, 15u" GOLD

UNLESS OTHERWISE SPECIFIED ALL DIMENSIONS ARE INCHES [MM] TOLERANCES: EXCEPT AS NOTED		INCHES		HOLDERS		DATE	
.X	± .10	ØXX	± .10				
.XX	± .020	ØXXX	± .015				
.XXX	± .015	ØXXXX	± .010				
APPROVALS		DATE		DATE		DATE	
DRAWN	BW	8/25/08					
CHECKED							
APPROVED							
SIZE	PART NO.	TITLE		REV.			
X	2PH2-XX-VA-SMT	.079 [2.00] DUAL ROW PIN HEADER		-			
REF:	SCALE: NTS	SHEET 1 OF 1					

6 5 4 3 2 1