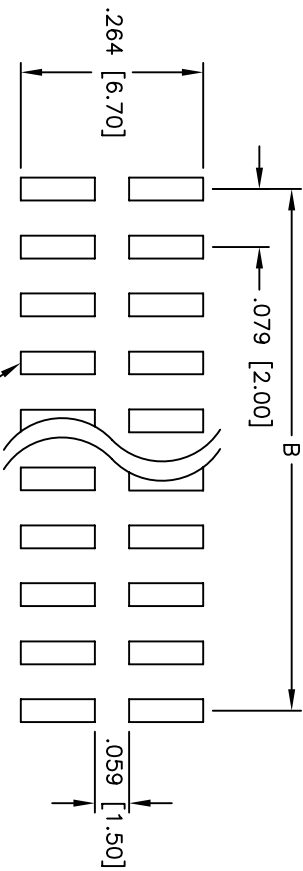
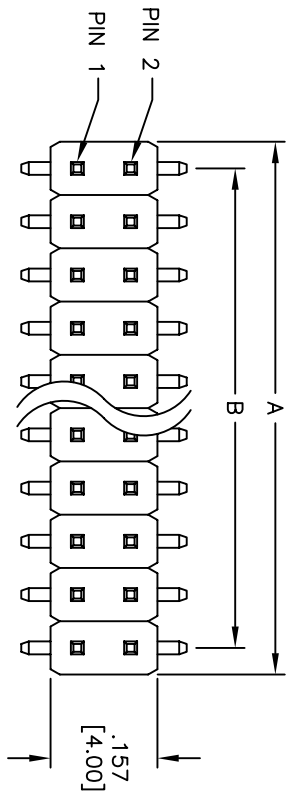
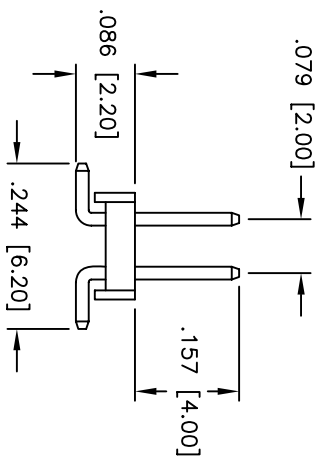
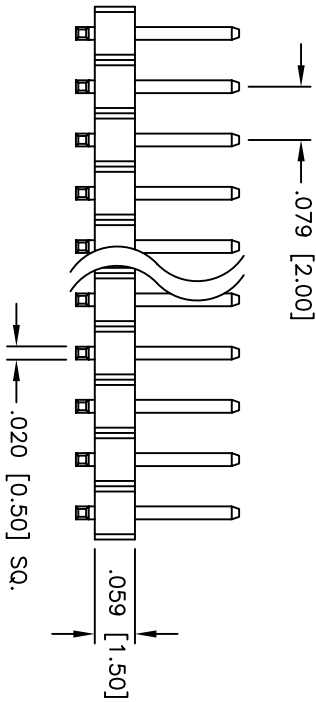


Rev	AWO #	Description	Date	Appr
-		RELEASED	4/1/05	

APPROVED: \_\_\_\_\_  
 DATE: \_\_\_\_\_ TITLE: \_\_\_\_\_



RECOMMENDED  
PCB LAYOUT



**SPECIFICATIONS:**

- Material: Insulator: Nylon 6T, rated UL 94V-0
- Insulator color: Black
- Contacts: Brass
- Plating: Tin over Copper underplate overall
- Electrical: Operating voltage: 250 VAC max
- Current rating: 1 Amp max
- Contact resistance: 20 mohms max
- Insulation resistance: 5,000 Mohms min @ 500 VDC
- Dielectric withstanding voltage: 1,000 VAC for 1 minute
- Temperature Rating: Operating temperature: -55°C to +105°C
- Environmental: Lead free, RoHS compliant
- Recommended soldering temp: 260°C for 5 seconds



Positions: 2 thru 80  
 A = .079 [2.00] x No. of Positions per Row  
 B = .079 [2.00] x No. of Spaces

UNLESS OTHERWISE SPECIFIED  
 ALL DIMENSIONS ARE IN INCHES [MM]

TOLERANCES: EXCEPT AS NOTED	HOLDS
.X ± .10	ØXX ± .10
.XX ± .020	ØXXX ± .015
.XXX ± .015	ØXXXX ± .010

APPROVALS	DATE
DRAWN SS	4/1/05
CHECKED	
APPROVED	

**ADAM TECH**

909 Rahway Avenue, Union, NJ 07083  
 Phone: 908-687-5000 Fax: 908-687-5710

TITLE: .079 [2.00] DUAL ROW PIN HEADER  
 SURFACE MOUNT, TIN PLATED

SIZE	PART NO.	REV.
X	2PH2-XX-TA-SMT	-

SCALE: NTS SHEET 1 OF 1