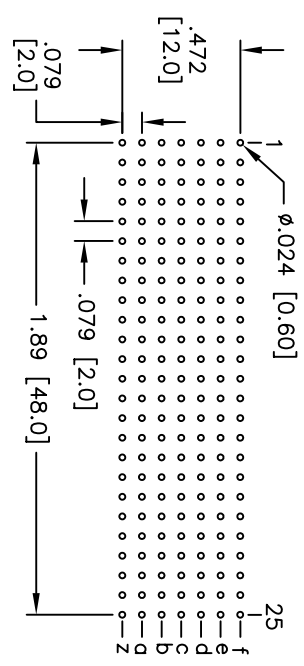
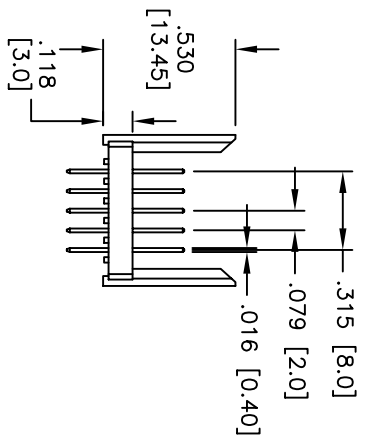
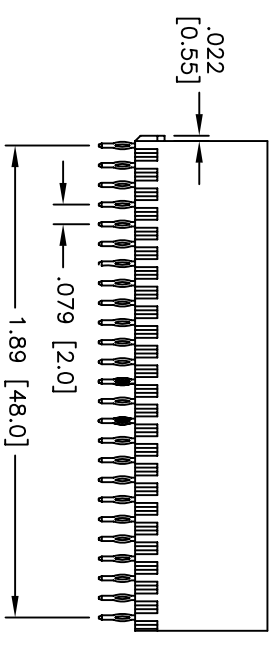
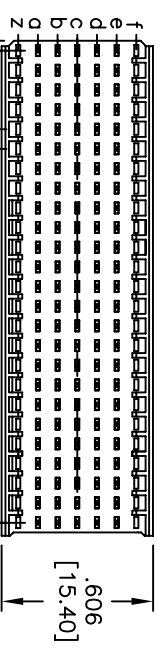
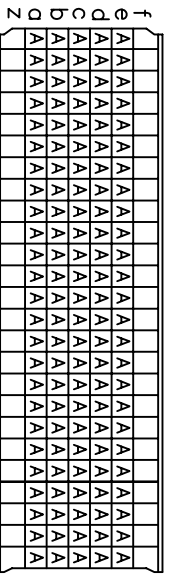


APPROVED: _____
 DATE: _____ TITLE: _____

Rev	AWO #	Description	Date	Appr
-		RELEASED	1/8/08	
A		REVISED PIN	3/13/08	



RECOMMEND PCB LAYOUT
(TOP VIEW)



CONTACT LAYOUT

SPECIFICATIONS:

- Material: Insulator: 30% Glass Filled PBT, rated UL 94V-0
- Insulator color: Black
- Contacts: Phosphor Bronze
- Plating: Gold over Nickel underplate on contact area, Tin over Copper underplate on PCB tails
- Electrical: Operating voltage: 500 VAC max
- Current rating: 1 Amps max
- Contact resistance: 20 mohms max
- Insulation resistance: 1000 Mohms min @ 500 VDC
- Dielectric withstanding voltage: 500 VAC for 1 minute
- Temperature Rating: Operating temperature: -55°C to +125°C
- Environmental: Lead free, RoHS compliant.
- Recommended soldering temp: 235°C for 5 sec.



ADAM TECH
 909 Railway Avenue, Union, NJ 07083
 Phone: 908-687-5000 Fax: 908-687-5710

UNLESS OTHERWISE SPECIFIED ALL DIMENSIONS ARE INCHES [MM]	
TOLERANCES: EXCEPT AS NOTED	
INCHES	
.X ± .10	ØX ± .10
.XX ± .020	ØXX ± .015
.XXX ± .015	ØXXX ± .010
APPROVALS	
DRAWN	SHIREN
CHECKED	
APPROVED	
DATE	1/8/08

TITLE		.079[2.0] HARD METRIC CONNECTORS MALE	
SIZE	PART NO.	SCALE	SHEET 1 OF 1
X	2PQ1B25-F-125-A-0	NTS	A