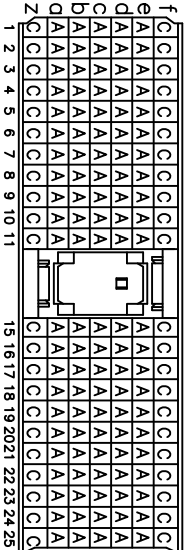
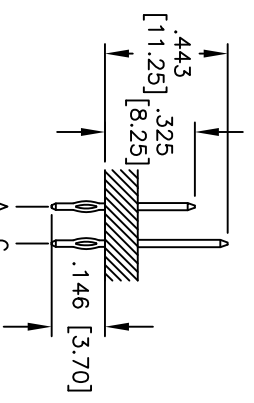
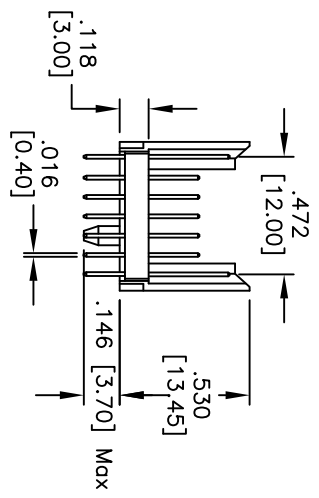
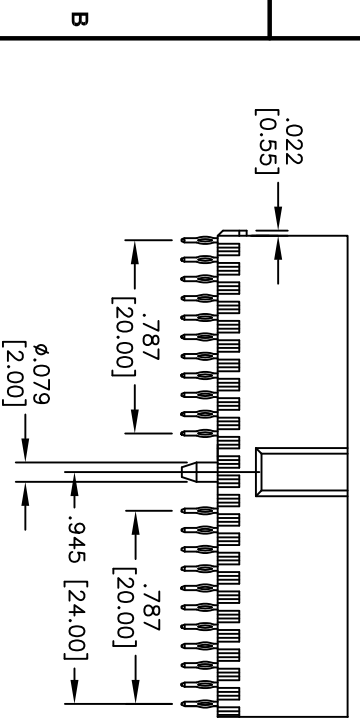
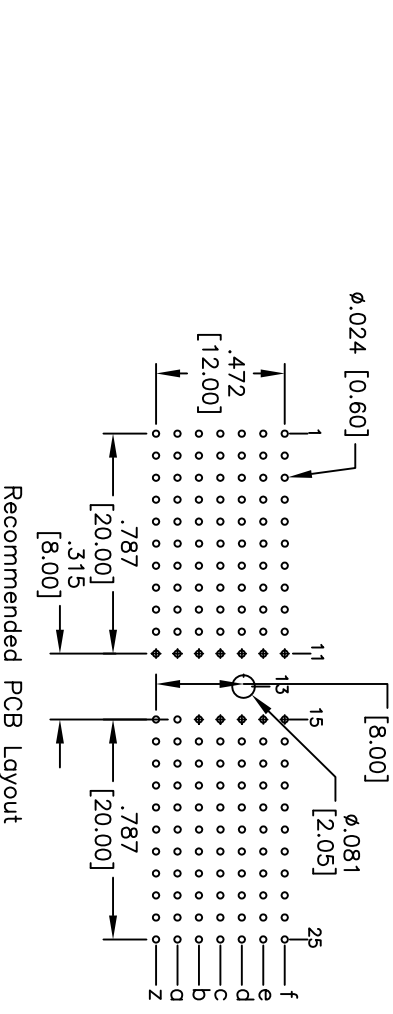
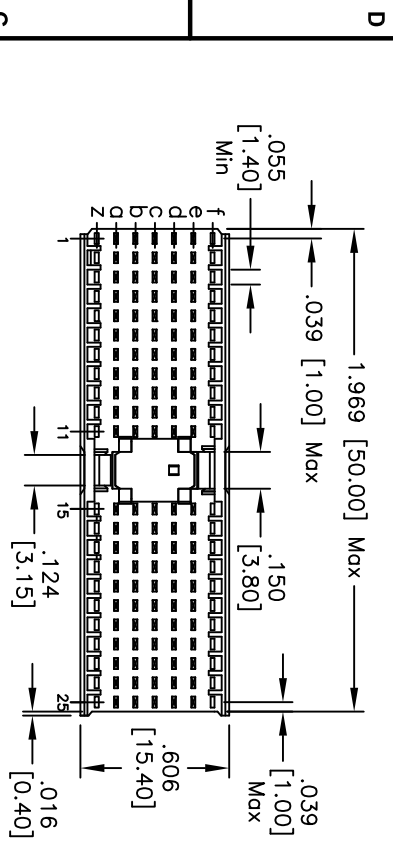


Rev	AWO #	Description	Date	Appr
-		RELEASED	9/22/09	

APPROVED: _____
 DATE: _____ TITLE: _____



Contact Layout

SPECIFICATIONS:
 Material: Insulator: PBT, glass reinforced, rated UL 94V-0
 Insulator color: Beige
 Contacts: Phosphor Bronze
 Plating: 10u" Gold over Nickel underplate on contact area, Tin over Copper underplate on PCB tails
 Electrical: Current rating: 1 Amp
 Contact resistance: 20 mohms max
 Insulation resistance: 10000 Mohms min @ 500 VDC
 Dielectric withstanding voltage: AC 750V for 1 minute
 Temperature Rating: Operating temperature: -55°C to +125°C
 Environmental: Lead free, RoHS compliant.
 Recommended soldering temp: 235°C for 5 sec.

ADAM TECH

909 Rahway Avenue, Union, NJ 07083
 Phone: 908-687-5000 Fax: 908-687-5710

TITLE: .079 [2.00] HARD METRIC CONNECTOR,
 154P, MALE, A TYPE

UNLESS OTHERWISE SPECIFIED ALL DIMENSIONS ARE INCHES [MM]		TOLERANCES: EXCEPT AS NOTED	
INCHES		HOLDS	
.X	± .10	ϕ XX	± .10
.XX	± .020	ϕ XXX	± .015
.XXX	± .015	ϕ XXXX	± .010
APPROVALS		DATE	
DRAWN	DY	9/22/09	
CHECKED			
APPROVED			
SIZE	PART NO.	REF:	SCALE:
X	2PC1-A-M-154-A-0	S00088T	NIS
REV.		SHEET	1 OF 1

