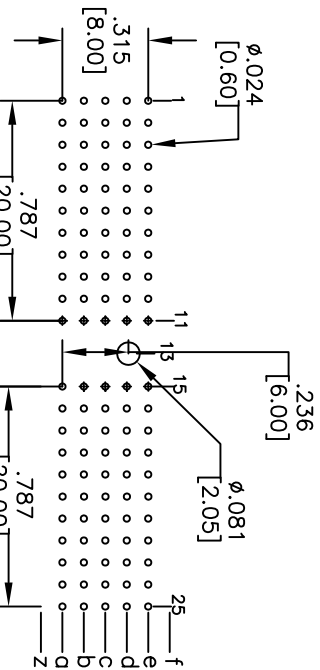
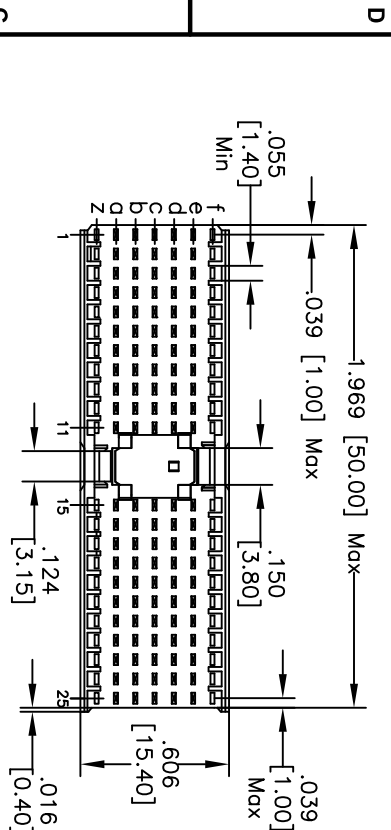
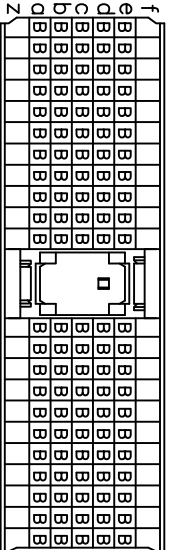
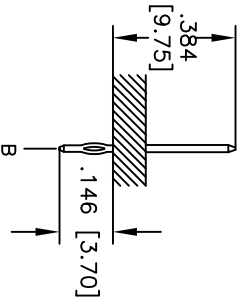
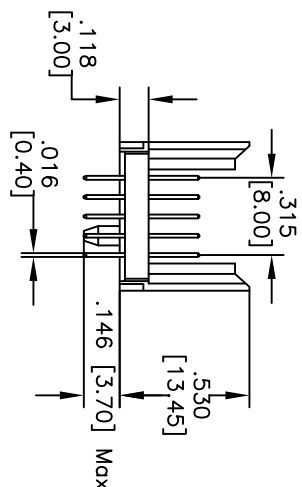
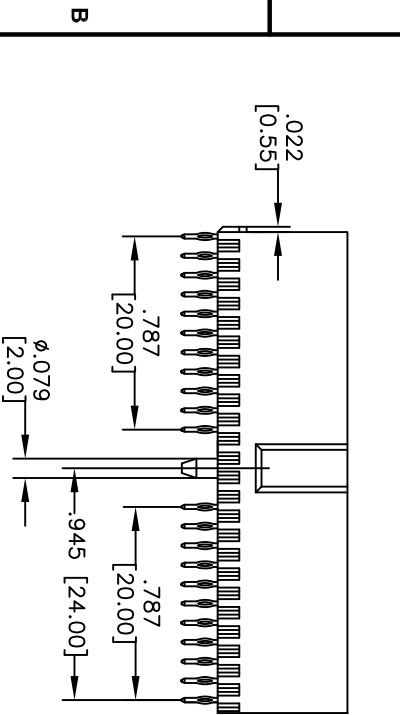


APPROVED: _____
 DATE: _____ TITLE: _____

Rev	AWO #	Description	Date	Appr
-		RELEASED	4/17/09	
A		REDRAWN	11/09/09	



Recommended PCB Layout
(Top View)



Contact Layout

SPECIFICATIONS:

Material: PBT, glass reinforced, rated UL 94V-0

Insulator color: Beige

Contacts: Phosphor Bronze

Plating:

10u" Gold over Nickel underplate on contact area, Tin over Copper underplate on PCB tails

Electrical:

Current rating: 1 Amp

Contact resistance: 20 mohms max

Insulation resistance: 10000 Mohms min @ 500 VDC

Dielectric withstanding voltage: AC 750V for 1 minute

Temperature Rating:

Operating temperature: -55°C to +105°C

Environmental:
 Lead free, RoHS compliant.
 Recommended soldering temp: 235°C for 5 sec.



ADAM TECH

909 Rahway Avenue, Union, NJ 07083
 Phone: 908-687-5000 Fax: 908-687-5710

TITLE: .079 [2.00] HARD METRIC CONNECTOR,
 110P, MALE, A TYPE

UNLESS OTHERWISE SPECIFIED ALL DIMENSIONS ARE IN INCHES [MM]		TOLERANCES: EXCEPT AS NOTED	
INCHES		HOLDS	
.X	± .10	ØX	± .10
.XX	± .020	ØXX	± .015
.XXX	± .015	ØXXX	± .010
APPROVALS		DATE	
DRAWN	SS	DATE	4/17/09
CHECKED			
APPROVED			
SIZE	PART NO.	REF:	SCALE: NTS
X	2PCL-A-M-110-B-0	S0008T	
REV.	SHEET 1 OF 1		
A			