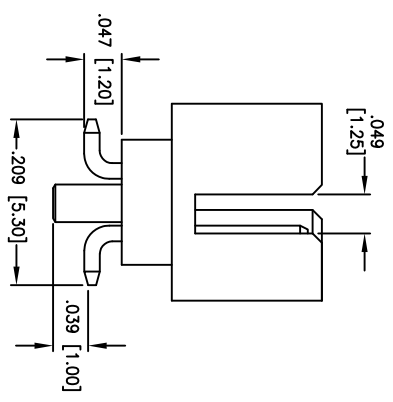
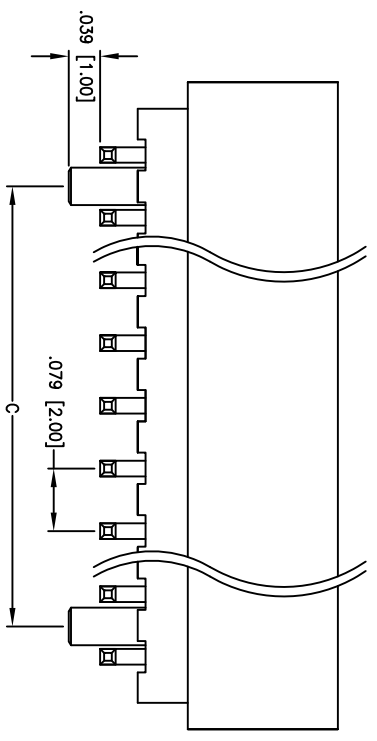
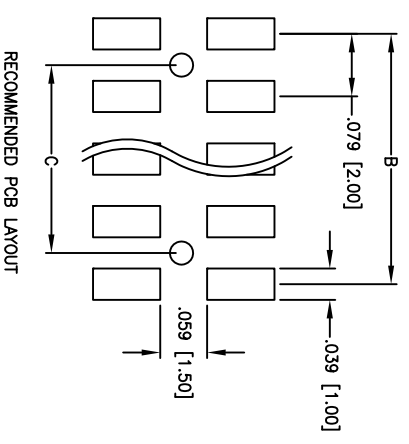
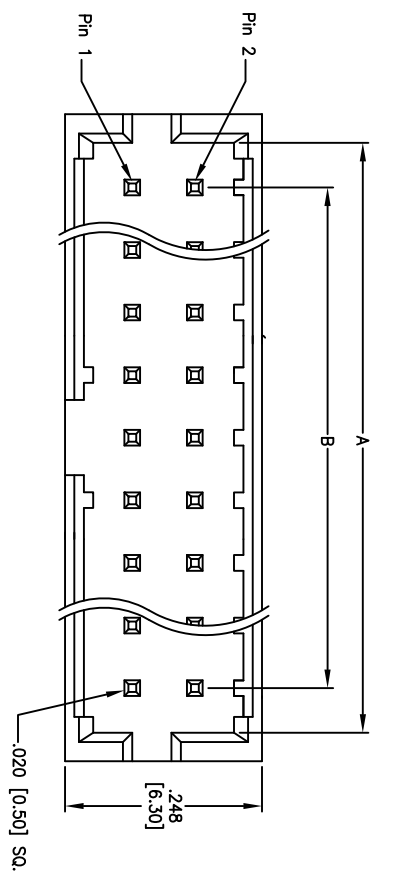


Rev	AWO #	Description	Date	Appr
-		RELEASED	11/20/09	

APPROVED: _____ TITLE: _____
 DATE: _____



SPECIFICATIONS:
 Material: Insulator: Nylon 6T, rated UL 94V-0
 Insulator color: Black
 Contacts: Brass
Plating:
 Gold Flash over Nickel underplate on contact area,
 Tin over copper underplate on tails.

Electrical:
 Current rating: 1 Amp max
 Contact resistance: 20 mohms max @ DC 100V
 Insulation resistance: 5000 Mohms min @ DC 500V
 Dielectric withstanding voltage: 500 VAC for 1 minute

Temperature Rating:
 Operating temperature: -40°C to +105°C
 Environmental:
 Lead free, RoHS compliant.
 Recommended soldering temp: 260°C for 5 sec.



A = .079 [2.00] X No. of Positions per row+ .033 [0.85]
 B = .079 [2.00] X No. of Spaces per row
 C = .079 [2.00] X No. of Positions per row - .157 [4.00]

UNLESS OTHERWISE SPECIFIED
 ALL DIMENSIONS ARE INCHES [MM]
 TOLERANCES: EXCEPT AS NOTED
 INCHES HOLES

.X	± .10	ØXX	± .10
.XX	± .020	ØXXX	± .015
.XXX	± .015	ØXXXX	± .010

APPROVALS

APPROVALS	DATE
DRAWN	DY
CHECKED	
APPROVED	

ADAM TECH
 909 Rahway Avenue, Union, NJ 07083
 Phone: 908-687-5000 Fax: 908-687-5710

TITLE	2.0mm DUAL ROW, VERTICAL MOUNT BOX HEADER, SEL GOLD PLATED		
SIZE	PART NO.	REV.	
X	ZMBHR-XX-VSG-SMT-P		
REF:	S00089T	SCALE:	MKS