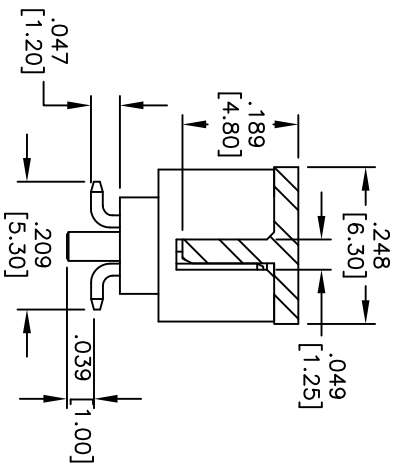
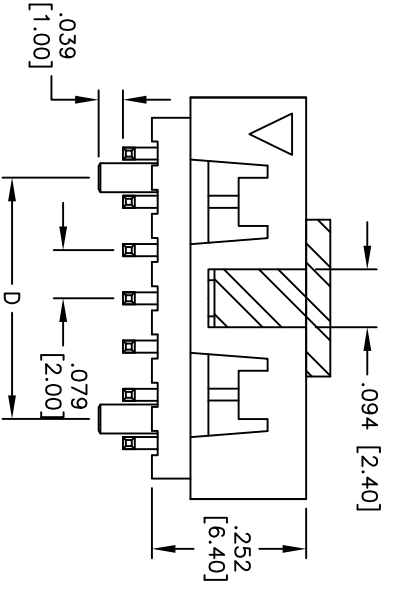
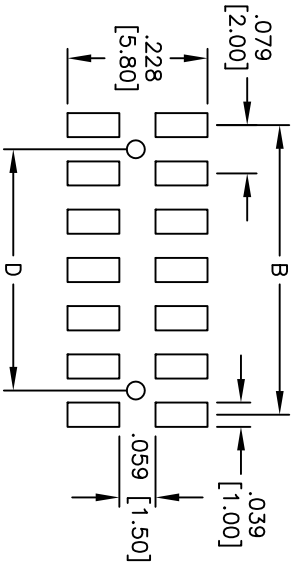
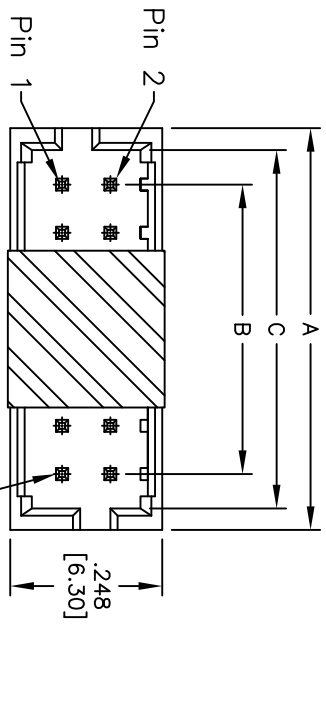


Rev	AWC #	Description	Date	Appr
-		RELEASED	10/22/09	

APPROVED: _____ TITLE: _____
 DATE: _____



SPECIFICATIONS:
 Material: Insulator: Hi-Temp Nylon, rated UL 94V-0
 Insulator color: Black
 Contacts: Brass
 Plating: 15u" Gold over Nickel underplate on mating area, Tin over Copper underplate on SMT tails

Positions: 14, 16, 20, 30, 44
 A = .079 [2.00] x No. Positions + .104 [2.65]
 B = .079 [2.00] x No. Spaces
 C = .079 [2.00] x No. Positions + .033 [0.85]
 D = .079 [2.00] x No. Positions - .157 [4.00]

Electrical:
 Current rating: 1 Amp max.
 Contact resistance: 20 mohms max. initial
 Insulation resistance: 5,000 Mohms min.
 Dielectric withstanding voltage: 500 VAC for 1 minute
 Temperature Rating: Operating temperature: -55°C to +105°C
 Environmental: Lead free, RoHS compliant
 Recommended soldering temp: 260°C for 5 seconds



ADAM TECH

909 Railway Avenue, Union, NJ 07083
 Phone: 908-687-5000 Fax: 908-687-5710

.079 [2.00] BOX HEADER, STRAIGHT,
 15u" SEL. GOLD PLATED, SURFACE MOUNT

UNLESS OTHERWISE SPECIFIED ALL DIMENSIONS ARE INCHES [MM]	
TOLERANCES: EXCEPT AS NOTED	
INCHES	
HOLES	
.X ± .10	ØXX ± .10
.XX ± .020	ØXXX ± .015
.XXX ± .015	ØXXX ± .010
APPROVALS	
DRAWN	DY
CHECKED	
DATE	10/22/09
APPROVED	

SIZE	PART NO.	REV.
X	2MBHR-XX-VSG-SMT-P-PP-15	-

REF: S00039T SCALE: NTS SHEET 1 OF 1