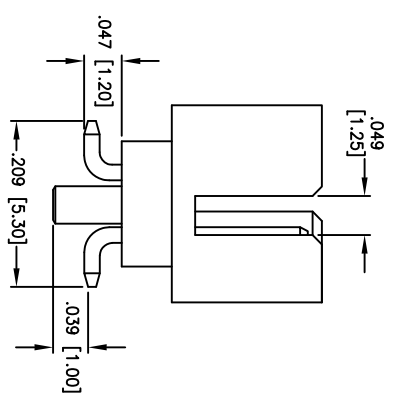
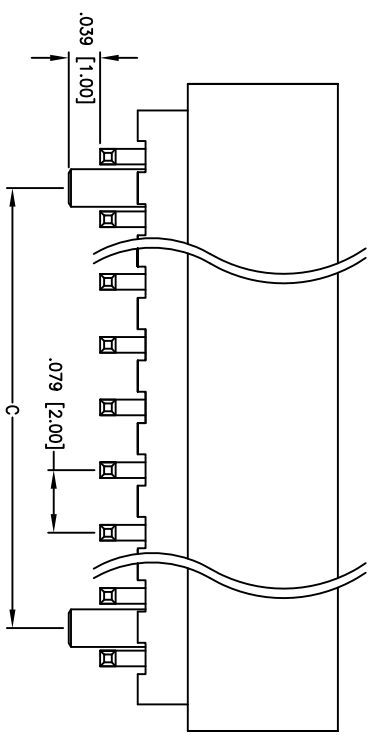
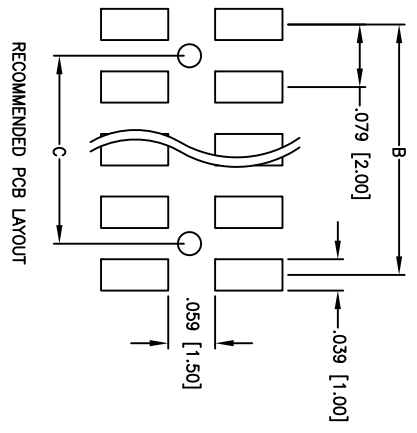
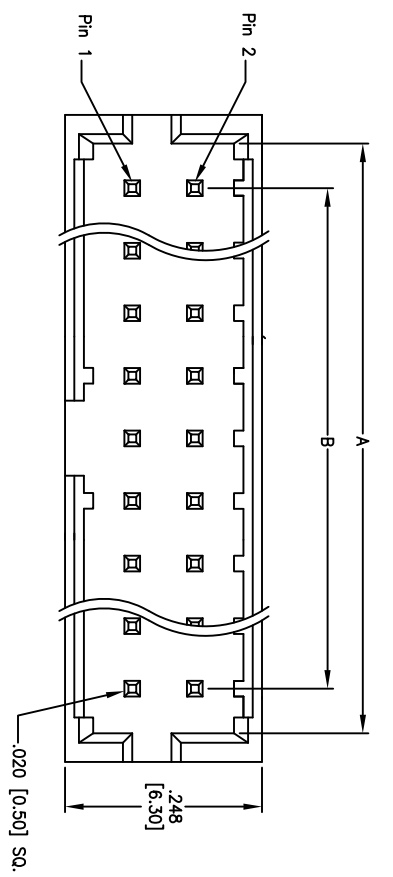


Rev	AWO #	Description	Date	Appr
-		RELEASED	11/20/09	

APPROVED: _____ TITLE: _____
 DATE: _____



A = .079 [2.00] X No. of Positions per row+ .033 [0.85]
 B = .079 [2.00] X No. of Spaces per row
 C = .079 [2.00] X No. of Positions per row- .157 [4.00]

SPECIFICATIONS:

Material:

Insulator: Nylon 6I, rated UL 94V-0
 Insulator color: Black

Contacts: Brass

Plating:

Gold Flash over Nickel underplate overall.

Electrical:

Current rating: 1 Amp max

Contact resistance: 20 mohms max @ DC 100V

Insulation resistance: 5000 Mohms min @ DC 500V

Dielectric withstanding voltage: 500 VAC for 1 minute

Temperature Rating:

Operating temperature: -40°C to +105°C

Environmental:
 Lead free, RoHS compliant.
 Recommended soldering temp: 260°C for 5 sec.



UNLESS OTHERWISE SPECIFIED ALL DIMENSIONS ARE INCHES [MM]	
TOLERANCES: EXCEPT AS NOTED	
.X	± .10
.XX	± .020
.XXX	± .015
ØXX	± .010
ØXXX	± .015
APPROVALS	DATE
DRAWN	DY
CHECKED	
APPROVED	
	11/20/09

ADAM TECH
 909 Rahway Avenue, Union, NJ 07083
 Phone: 908-687-5000 Fax: 908-687-5710

TITLE: 2.0mm DUAL ROW, VERTICAL
 MOUNT BOX HEADER, GOLD PLATED

SIZE: PART NO. 2MBHR-XX-VA-SMT-P
 X
 REF: S0009T