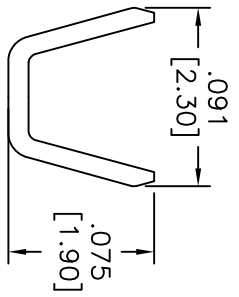
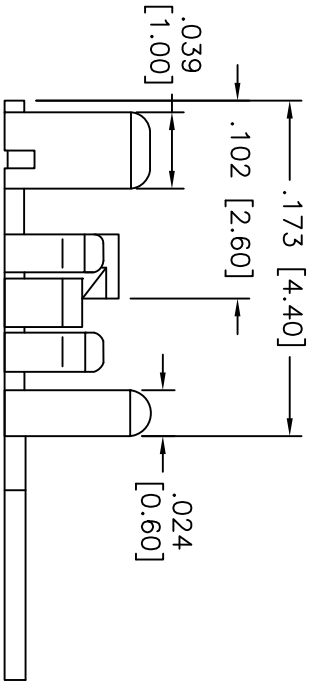
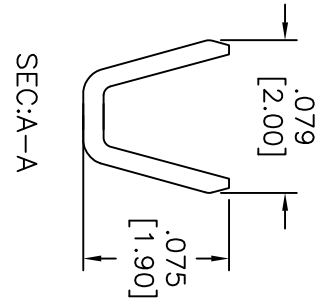
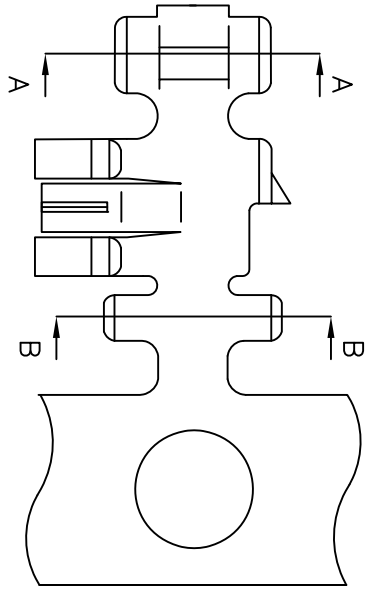


Rev	AWO #	Description	Date	Appr
-		RELEASED	12/1/10	

APPROVED: _____
 DATE: _____ TITLE: _____



SPECIFICATIONS:

Material: Phosphor Bronze
 Plating: Tin Plated
 Thickness: 0.25mm
 Wire Range: AWG#22~#28
 Specification:
 Voltage Rating: 100V AC,DC
 Current Rating: 2A AC,DC max.
 Contact resistance: 20 Mohms max.
 Dielectric withstanding voltage: 800V AC/minute
 Operating temperature: -25°C to +85°C
Environmental:
 Lead free, RoHS compliant.



UNLESS OTHERWISE SPECIFIED ALL DIMENSIONS ARE INCHES [MM]	
TOLERANCES: EXCEPT AS NOTED	HOLDS
.X ± .10	ØX ± .10
.XX ± .020	ØXX ± .015
.XXX ± .015	ØXXX ± .010
APPROVALS	DATE
DRAWN AY	12/1/10
CHECKED AH	12/1/10
APPROVED	

ADAM TECH
 909 Railway Avenue, Union, NJ 07083
 Phone: 908-687-5000 Fax: 908-687-5710

TITLE
CRIMP CONTACT

SIZE X	PART NO. 2CTD1-R	REV. -
REF: S0023T	SCALE: NTS	SHEET 1 OF 1