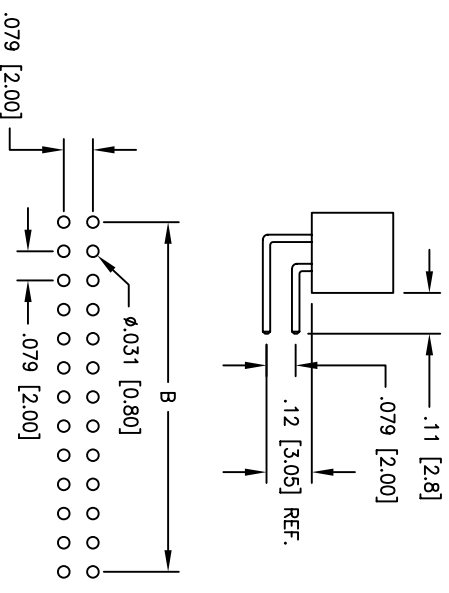
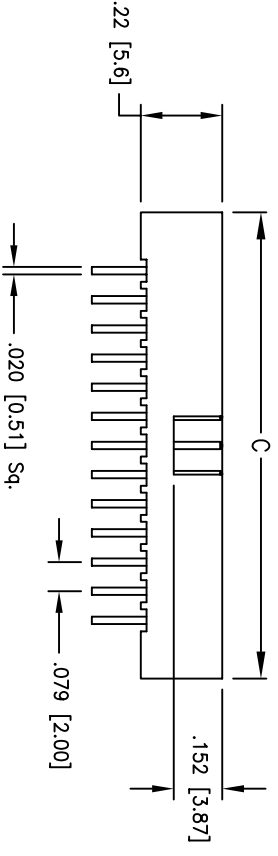
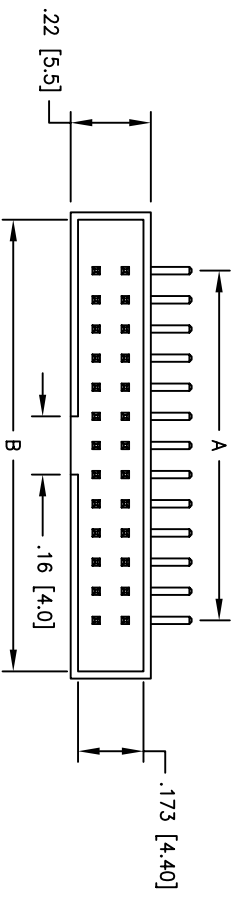


Rev	AWO #	Description	Date	Appr
-		RELEASED	9/25/08	

APPROVED: \_\_\_\_\_ TITLE: \_\_\_\_\_  
 DATE: \_\_\_\_\_

POSITION	A	B	C
10	.315 [8.00]	.633 [16.08]	.673 [17.10]
12	.394 [10.00]	.712 [18.08]	.752 [19.10]
14	.472 [12.00]	.791 [20.08]	.831 [21.10]
16	.551 [14.00]	.869 [22.08]	.909 [23.10]
20	.709 [18.00]	1.027 [26.08]	1.067 [27.10]
26	.945 [24.00]	1.263 [32.08]	1.303 [33.10]
34	1.260 [32.00]	1.578 [40.08]	1.618 [41.10]
40	1.496 [38.00]	1.814 [46.08]	1.854 [47.10]
44	1.654 [42.00]	1.972 [50.08]	2.012 [51.10]
50	1.890 [48.00]	2.208 [56.08]	2.248 [57.10]
68	2.598 [66.00]	2.917 [74.08]	2.957 [75.10]



**RECOMMENDED PCB LAYOUT**  
 Tolerances: ±.004 [±.10]

**SPECIFICATIONS:**

**Material:**  
 Insulator: Nylon 6T, glass reinforced, rated UL 94V-0  
 Insulator color: Black  
**Contacts:** Brass  
**Plating:**  
 Gold flash over nickel underplate on contact area,  
 Tin over copper underplate on tails.

**Electrical:**  
 Operating voltage: 250 VAC max  
 Current rating: 1 Amp max  
 Contact resistance: 20 mohms max  
 Insulation resistance: 5000 Mohms min  
 Dielectric withstanding voltage: 1000 VAC for 1 minute

**Temperature Rating:**  
 Operating temperature: -55°C to +105°C  
 Environmental:  
 Lead free, RoHS compliant.  
 Recommended soldering temp: 260°C for 5 sec.



UNLESS OTHERWISE SPECIFIED ALL DIMENSIONS ARE INCHES. [MM]	
TOLERANCES: EXCEPT AS NOTED	
INCHES	Holes
X ±.10	ØX ±.10
XX ±.020	ØXX ±.015
XXX ±.015	ØXXX ±.010
APPROVALS	
DRAWN	DY
CHECKED	
APPROVED	

**ADAM TECH**  
 909 Rahway Avenue, Union, NJ 07083  
 Phone: 908-687-5000 Fax: 908-687-5710

TITLE	2.0mm DUAL ROW, HORIZONTAL		
MOUNT BOX HEADER, SELECTIVE GOLD PLATED	SIZE	PART NO.	REV.
	X	2BHR-XX-HSGA-HT	-
REF:	SCALE:	NIS	SHEET 1 OF 1