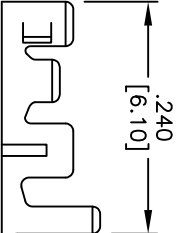
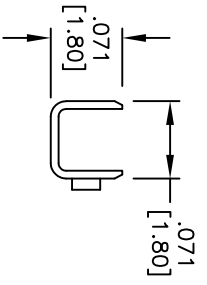
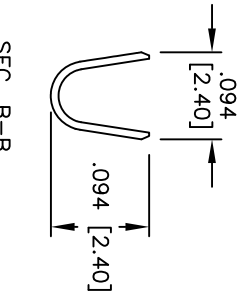
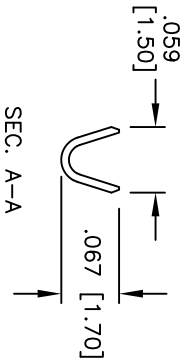
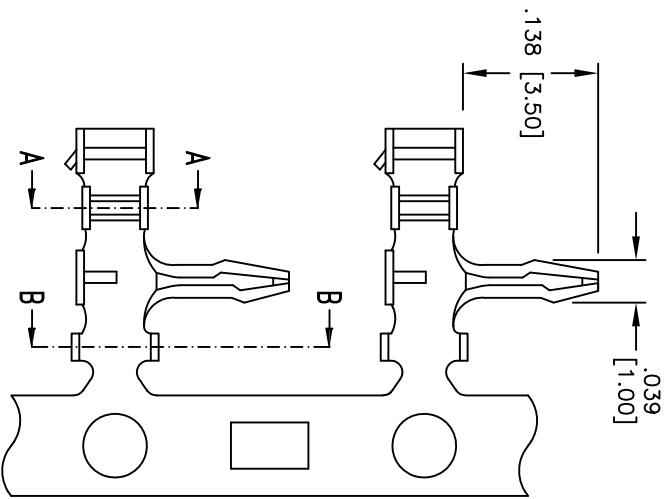


Rev	AWO #	Description	Date	Appr
-		RELEASED	11/03/10	

APPROVED: _____
 DATE: _____ TITLE: _____



SPECIFICATIONS:

Material:

Contacts: Phosphor Bronze, Matt Tin plated

Wire range: AWG#22~#28

Applicable P.C. Board Thickness: 1.6mm

Terminal Thickness: 0.2mm

Recommended PCB hole diameter: ϕ 1.0mm

Electrical:

Current rating: 3A AC,DC

Voltage rating: 250V AC,DC

Withstanding voltage: 800V AC for 1 minute.

Temperature range: -25°C to +85°C

Environmental:

Lead free, RoHS compliant.



UNLESS OTHERWISE SPECIFIED
 ALL DIMENSIONS ARE INCHES [MM]
 TOLERANCES: EXCEPT AS NOTED
 INCHES Holes
 .X ±.10 ØXX ±.10
 .XX ±.020 ØXXX ±.015
 .XXX ±.015 ØXXXX ±.010

APPROVALS DATE

DRAWN DY 11/03/10

CHECKED

APPROVED

ADAM TECH
 909 Rahway Avenue, Union, NJ 07083
 Phone: 908-687-5000 Fax: 908-687-5710

TITLE: PCB CRIMP TERMINAL, MATT TIN PLATED

SIZE PART NO. 25CTG-MT-PB-R

REF: S0004T SCALE: NTS SHEET 1 OF 1