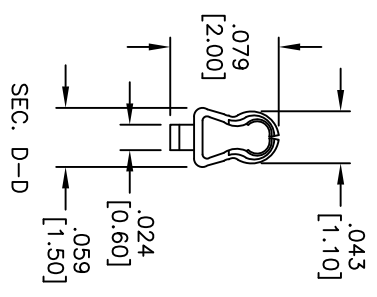
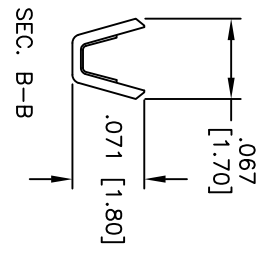
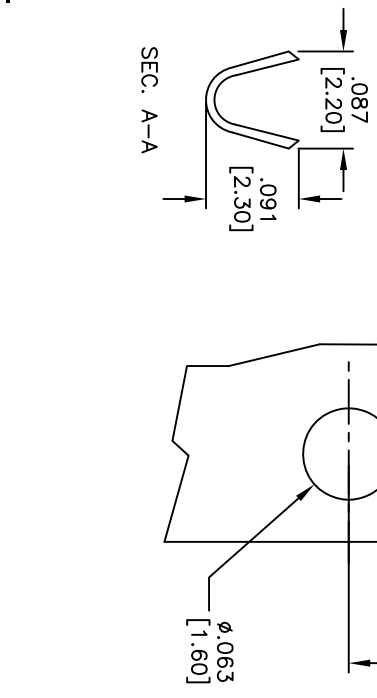
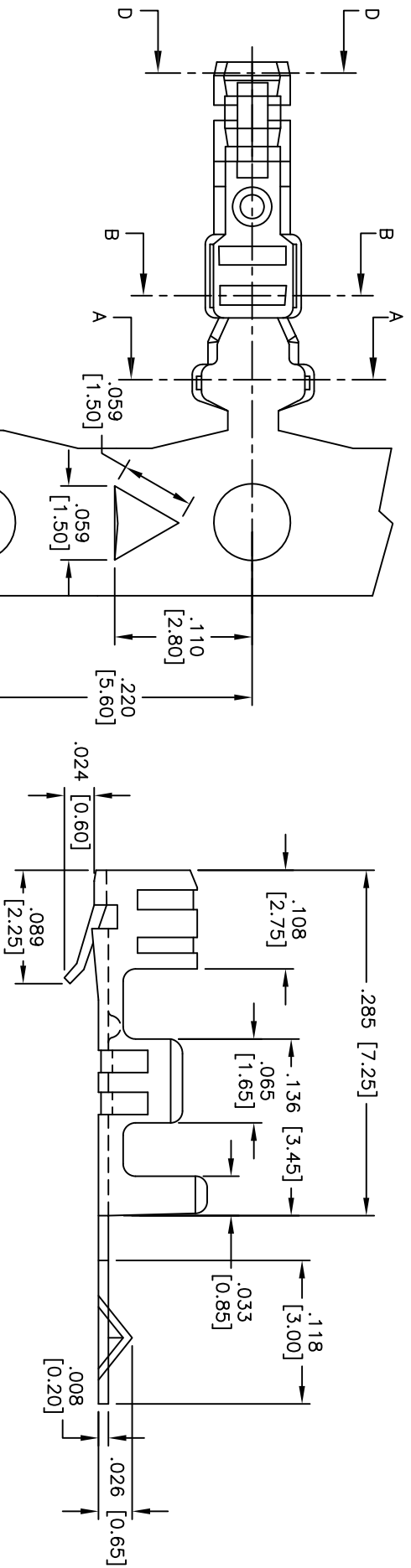


Rev	AWO #	Description	Date	Appr
-		RELEASED	2/10/10	

APPROVED: _____
 DATE: _____ TITLE: _____



SPECIFICATIONS:
 Material: Phosphor Bronze 0.2mm thick
 Plating: pre-Tinned

Electrical
 Operation voltage: 125 VAC

Current rating: 3 Amp
 Contact resistance: 20 Mohms max.

Ambient temperature range: -40°C to +105°C
 Mechanical:
 Max Dia. of Insulation: ϕ 1.9mm
 Wire Range: 22-28 AWG.

Packaging: Chain Reel, 10K pcs / reel
 Environmental:
 Lead free, RoHS Compliant

UNLESS OTHERWISE SPECIFIED ALL DIMENSIONS ARE IN INCHES [MM]	
TOLERANCES: EXCEPT AS NOTED	
INCHES	HOLDS
.X ± .10	ØX ± .10
.XX ± .020	ØXX ± .015
.XXX ± .015	ØXXX ± .010
APPROVALS	DATE
DRAWN	DY
CHECKED	
APPROVED	

ADAM TECH
 909 Rahway Avenue, Union, NJ 07083
 Phone: 908-687-5000 Fax: 908-687-5710

SIZE	PART NO.	REV.
X	25CTE-R	-
REF: 500/23T	SCALE: NTS	SHEET 1 OF 1