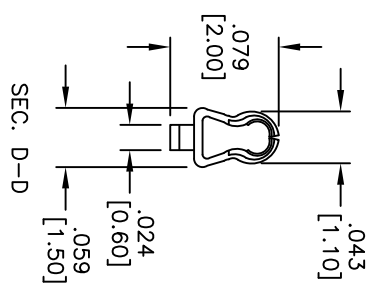
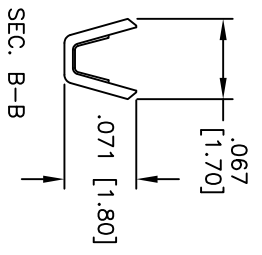
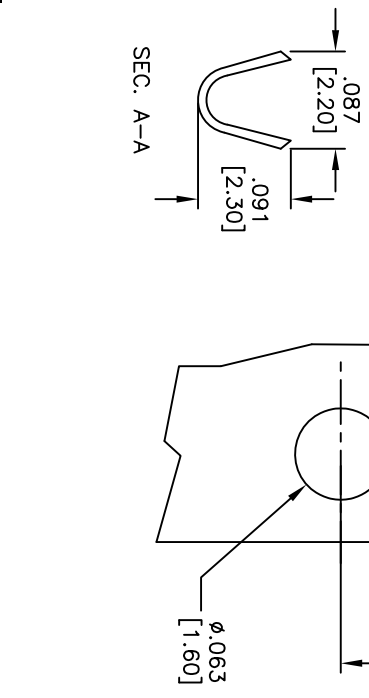
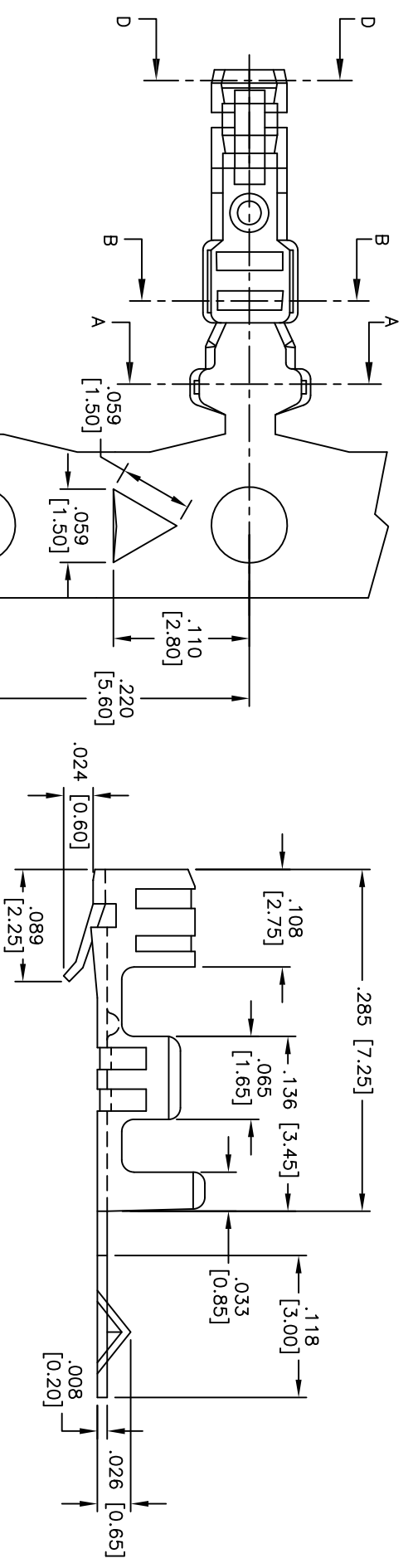


Rev	AWO #	Description	Date	Appr
-		RELEASED	10/20/10	

APPROVED: \_\_\_\_\_  
 DATE: \_\_\_\_\_ TITLE: \_\_\_\_\_



**SPECIFICATIONS:**  
 Material: Phosphor Bronze 0.2mm thick  
 Plating: Matt Tin plated

**Electrical**  
 Operation voltage: 125 VAC  
 Current rating: 3 Amp  
 Contact resistance: 20 Mohms max.  
 Ambient temperature range: -40°C to +105°C

**Mechanical:**  
 Max Dia. of Insulation:  $\phi$ 1.9mm  
 Wire Range: 22-28 AWG.

Packaging: Chain Reel, 10K pcs / reel  
 Environmental:  
 Lead free, RoHS Compliant

UNLESS OTHERWISE SPECIFIED ALL DIMENSIONS ARE IN INCHES [MM]	
TOLERANCES: EXCEPT AS NOTED	
INCHES	HOLDS
.X ± .10	ØXX ± .10
.XX ± .020	ØXXX ± .015
.XXX ± .015	ØXXXX ± .010
APPROVALS	DATE
DRAWN	DY
CHECKED	
APPROVED	

**ADAM TECH**  
 909 Railway Avenue, Union, NJ 07083  
 Phone: 908-687-5000 Fax: 908-687-5710

TITLE: .098 [2.50] CRIMP TERMINAL

SIZE	PART NO.	REV.
X	25CTE-MT-R	-
REF: 500/23T	SCALE: NTS	SHEET 1 OF 1