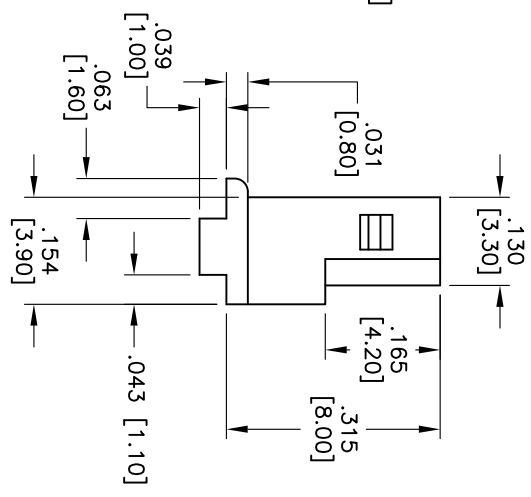
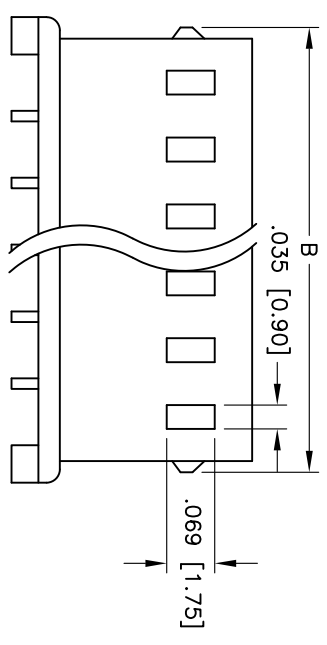
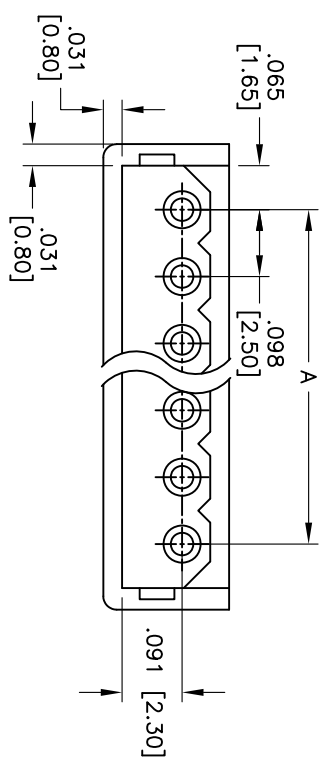


APPROVED: \_\_\_\_\_  
 DATE: \_\_\_\_\_ TITLE: \_\_\_\_\_

Rev	AWO #	Description	Date	Appr
-		RELEASED	2/10/10	
A		REVISED DIM.	10/25/10	



Positions: 02 thru 20  
 A = .098 [2.50] x No. of Spaces  
 B = .098 [2.50] x No. of Spaces + .154 [3.90]

**SPECIFICATIONS:**  
 Material: Nylon 66 UL 94V-0  
 Insulator color: Natural

**Electrical:**  
 Operating voltage: 250 VAC  
 Current rating: 3 Amp max  
 Contact Resistance: 20 mohms max  
 Insulation resistance: 1,000Mohms MIN.  
 Dielectric withstanding voltage: 1,000V AC for 1 MIN.

**Temperature Rating:**  
 Temperature range: -40°C to +105°C  
 Environmental:  
 Lead free, RoHS compliant



UNLESS OTHERWISE SPECIFIED ALL DIMENSIONS ARE INCHES [MM]	
TOLERANCES: EXCEPT AS NOTED	HOLDS
.X ± .10	ØXX ± .10
.XX ± .020	ØXXX ± .015
.XXX ± .015	ØXXX ± .010
APPROVALS	DATE
DRAWN	DY
CHECKED	
APPROVED	

**ADAM TECH**  
 909 Rahway Avenue, Union, NJ 07083  
 Phone: 908-687-5000 Fax: 908-687-5710

**SHROUDED CRIMP TERMINAL HOUSING**

SIZE	PART NO.	REV.
X	25CH-E-XX	A
REF: S0072T	SCALE: NTS	SHEET 1 OF 1