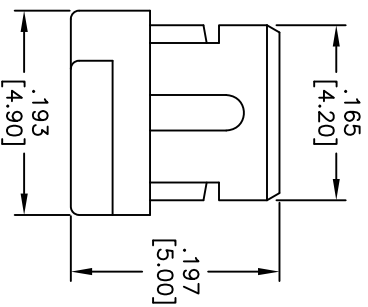
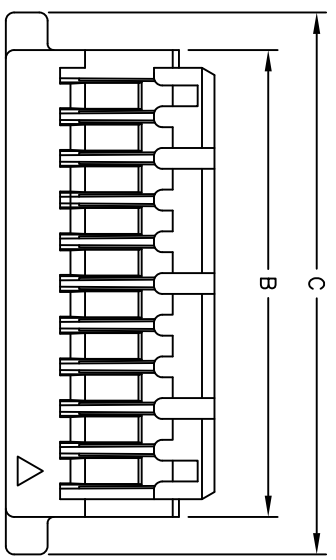
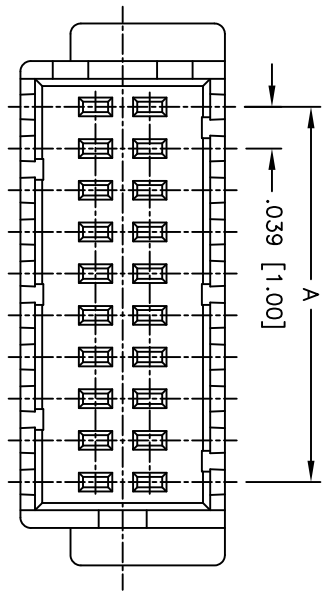


| Rev | AWO # | Description | Date | Appr |
|-----|-------|-------------|---------|------|
| - | | RELEASED | 5/13/10 | |

APPROVED: _____
 DATE: _____ TITLE: _____



| Positions | DIMENSIONS INCHES [mm] | | |
|-----------|------------------------|---------------|---------------|
| | A | B | C |
| 20 | .354 [9.00] | .433 [11.00] | .512 [13.00] |
| 30 | .551 [14.00] | .630 [16.00] | .709 [18.00] |
| 40 | .748 [19.00] | .827 [21.00] | .906 [23.00] |
| 50 | .945 [24.00] | 1.024 [26.00] | 1.102 [28.00] |

SPECIFICATIONS:

Material: Insulator: PBT, rated UL 94V-0
 Insulator color: White
 Electrical:
 Operating voltage: 50V AC, DC
 Current rating: 1A AC, DC (AWG #28)
 Insulation resistance: 100 Mohms min
 Dielectric withstanding voltage: 500 VAC for 1 minute
 Temperature Rating:
 Operating temperature: -25°C to +85°C
 Environmental:
 Lead free, RoHS compliant



ADAM TECH

909 Rahway Avenue, Union, NJ 07083
 Phone: 908-687-5000 Fax: 908-687-5710

TITLE: .039 [1.00] DUAL ROW HOUSING

| | | | | | |
|---|------------|------------------------------|--------|-------|--|
| UNLESS OTHERWISE SPECIFIED ALL DIMENSIONS ARE INCHES [MM] TOLERANCES: EXCEPT AS NOTED | | INCHES | | HOLDS | |
| .X | ± .10 | ØX | ± .10 | | |
| .XX | ± .020 | ØXXX | ± .015 | | |
| .XXX | ± .015 | ØXXX | ± .010 | | |
| APPROVALS | | DATE | | | |
| DRAWN | DY | 5/13/10 | | | |
| CHECKED | | | | | |
| APPROVED | | | | | |
| SIZE | PART NO. | TITLE | | REV. | |
| X | 1CH-2-XX | .039 [1.00] DUAL ROW HOUSING | | - | |
| REF: S00123T | SCALE: NTS | SHEET 1 OF 1 | | | |