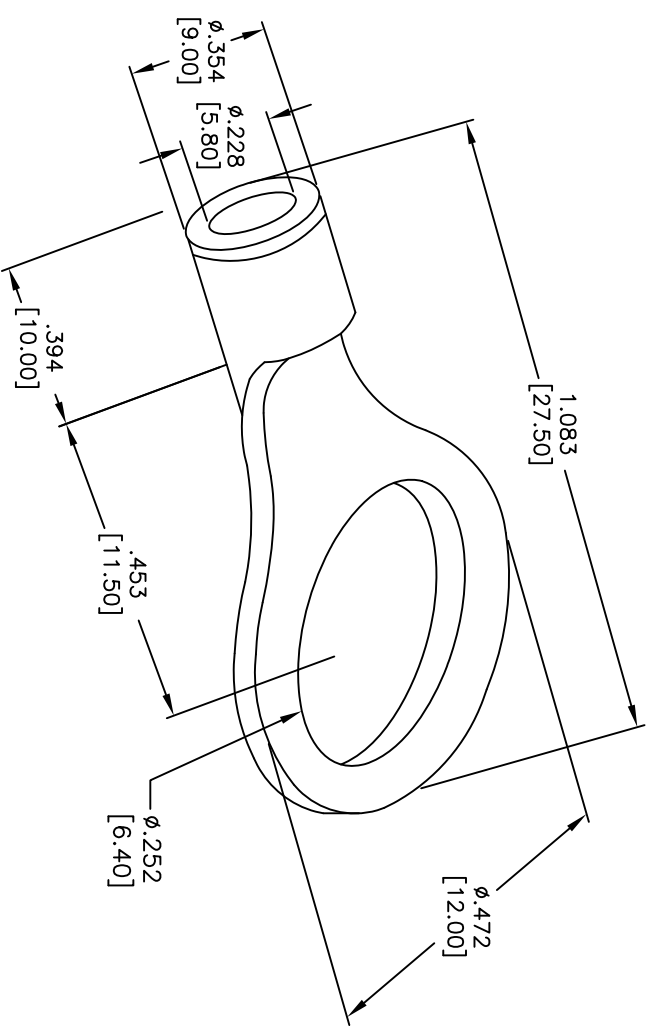


Rev	AWO #	Description	Date	Appr
-		RELEASED	7/08/11	

APPROVED: _____
 DATE: _____ TITLE: _____



UNLESS OTHERWISE SPECIFIED
 ALL DIMENSIONS ARE IN INCHES [MM]
 TOLERANCES: EXCEPT AS NOTED
 INCHES Holes
 .X ± .10 ØX
 .XX ± .020 ØXX
 .XXX ± .015 ØXXX
 .XXX ± .010

ADAM TECH
 909 Railway Avenue, Union, NJ 07083
 Phone: 908-687-5000 Fax: 908-687-5710

252R RING TERMINAL

APPROVALS	DATE
DRAWN	DY
CHECKED	
APPROVED	

SIZE	PART NO.	REV.
X	15RT-.252/.472/.228	-
REF: 30051T	SCALE: NTS	SHEET 1 OF 1



SPECIFICATIONS:
 Terminal: Copper
 Wire range: 6 AWG
 Thickness: 1.5mm
 Environmental:
 Lead free, RoHS compliant.

6 5 4 3 2 1

A B C D