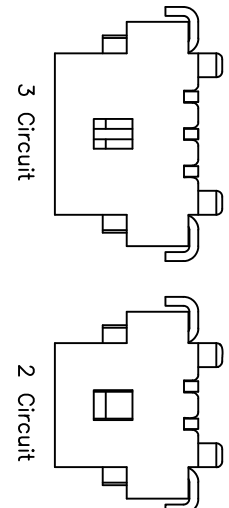
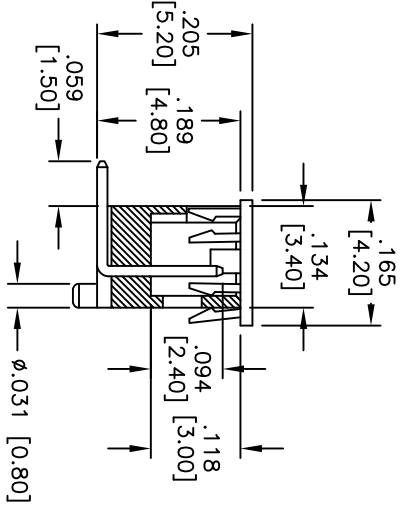
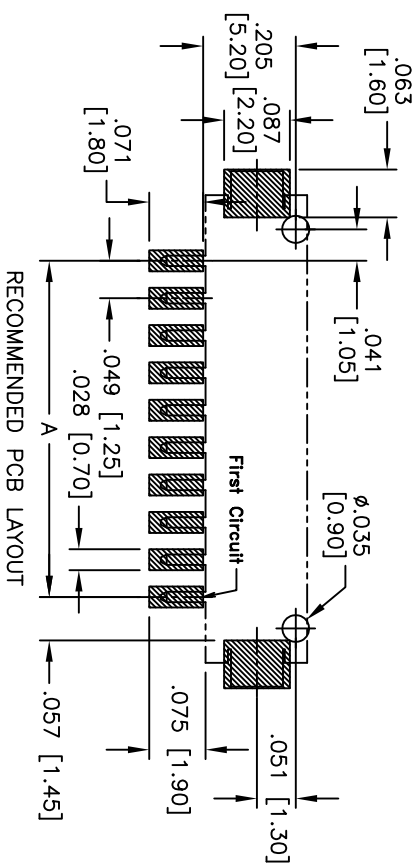
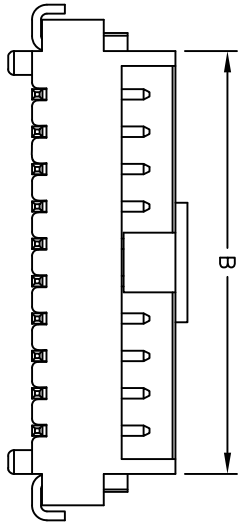
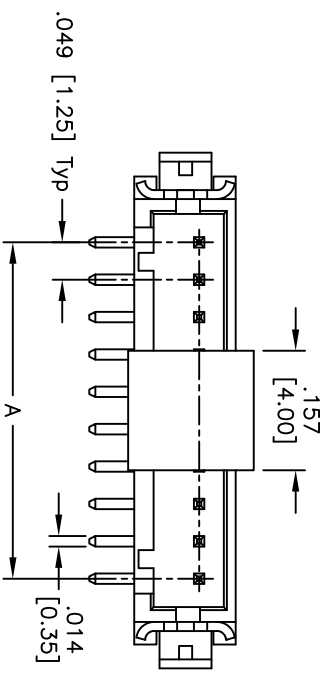
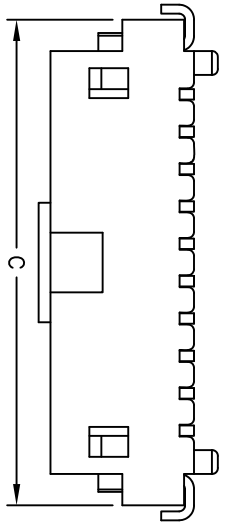


Rev	AWO #	Description	Date	Appr
-	11227	RELEASED	4/11/11	

APPROVED: _____
 DATE: _____ TITLE: _____



PACKAGED ON TAPE & REEL

SPECIFICATIONS:

Material:
 Insulator: Nylon 6T, rated UL 94V-0
 Insulator color: Natural
 Contacts: Brass, Gold flash plated

Electrical:
 Operating voltage: 150V AC,DC
 Current rating: 1A AC,DC
 Contact resistance: 30 mohms max
 Insulation resistance: 500 Mohms max
 Withstanding voltage: 500 VAC for 1 minute
Temperature Rating:
 Operating temperature: -35°C to +85°C
 Environmental:
 Lead free, RoHS compliant.
 Recommended soldering temp: 260°C for 5 sec.



A = .049 [1.25] X No. of Spaces
 B = .049 [1.25] X No. of Spaces + .114 [2.90]
 C = .049 [1.25] X No. of Spaces + .197 [5.00]

UNLESS OTHERWISE SPECIFIED
 ALL DIMENSIONS ARE IN INCHES [MM]
 TOLERANCES: EXCEPT AS NOTED

INCHES	HOLDS
.X ± .10	ØX ± .10
.XX ± .020	ØXX ± .015
.XXX ± .015	ØXXX ± .010

APPROVALS	DATE
DRAWN	4/11/11
CHECKED	
APPROVED	

ADAM TECH

909 Rahway Avenue, Union, NJ 07083
 Phone: 908-687-5000 Fax: 908-687-5710

TITLE: .049 [1.25] PITCH WIRE TO BOARD HEADER
 STRAIGHT, SMT TYPE

SIZE	PART NO.	SCALE	SHEET 1 OF 1
X	125SH-C-XX-TS-SMT-TJR	NTS	