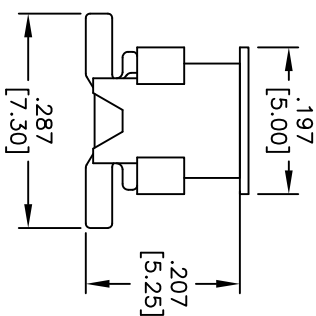
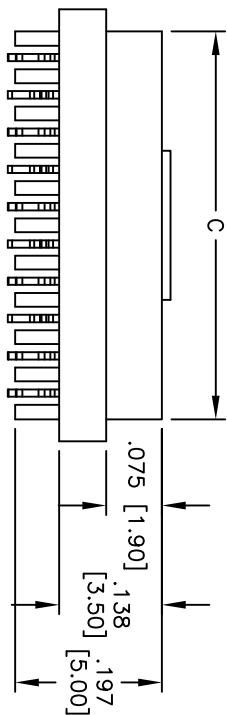
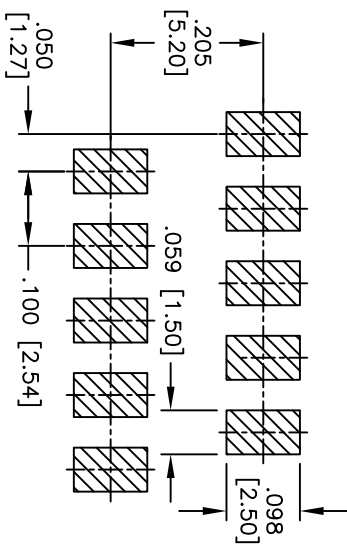
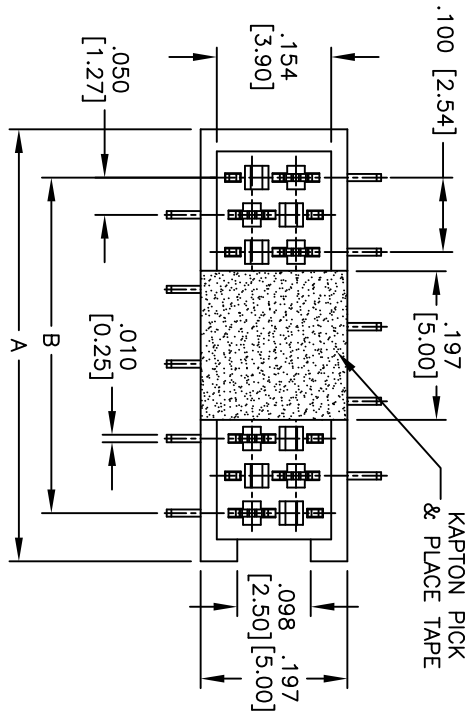


APPROVED: _____

DATE: _____ TITLE: _____

Rev	AWO #	Description	Date	Appr
-		RELEASED	10/19/09	
A		UNDERPLATE WAS COPPER	1/31/12	SS



SPECIFICATIONS:

- Material: Insulator: Hi-temp thermoplastic, rated UL 94V-0
- Insulator color: Red
- Contacts: Phosphor Bronze
- Plating: Tin over Nickel underplate overall
- Electrical: Current rating: 1A AC/DC
- Contact resistance: 20 mohms max.
- Insulation resistance: 1,000 Mohms min.
- Dielectric withstanding: 500V AC for 1 minute
- Temperature Rating: Operating temperature: -40°C to +105°C
- Environmental: Lead free, RoHS compliant

- Positions: 4 thru 20
- A = .050 [1.27] x No. of Positions + .076 [1.92]
- B = .050 [1.27] x No. of Spaces
- C = .050 [1.27] x No. of Positions + .020 [0.52]

UNLESS OTHERWISE SPECIFIED
ALL DIMENSIONS ARE INCHES [MM]
TOLERANCES: EXCEPT AS NOTED
INCHES Holes ±.10
Holes ±.015
Holes ±.010
DATE

TIN PLATED
.050 [1.27] MICRO MATCH SOCKET, SMT TYPE

909 Rahway Avenue, Union, NJ 07083
Phone: 908-687-5000 Fax: 908-687-5710

ADAM TECH



APPROVALS	DATE
DRAWN	DY
CHECKED	
APPROVED	

SIZE	PART NO.	REV.
X	MPF-A-XX-SMT-1-KT	A
REF:	S00019C	SHEET 1 OF 1
SCALE:	NTS	