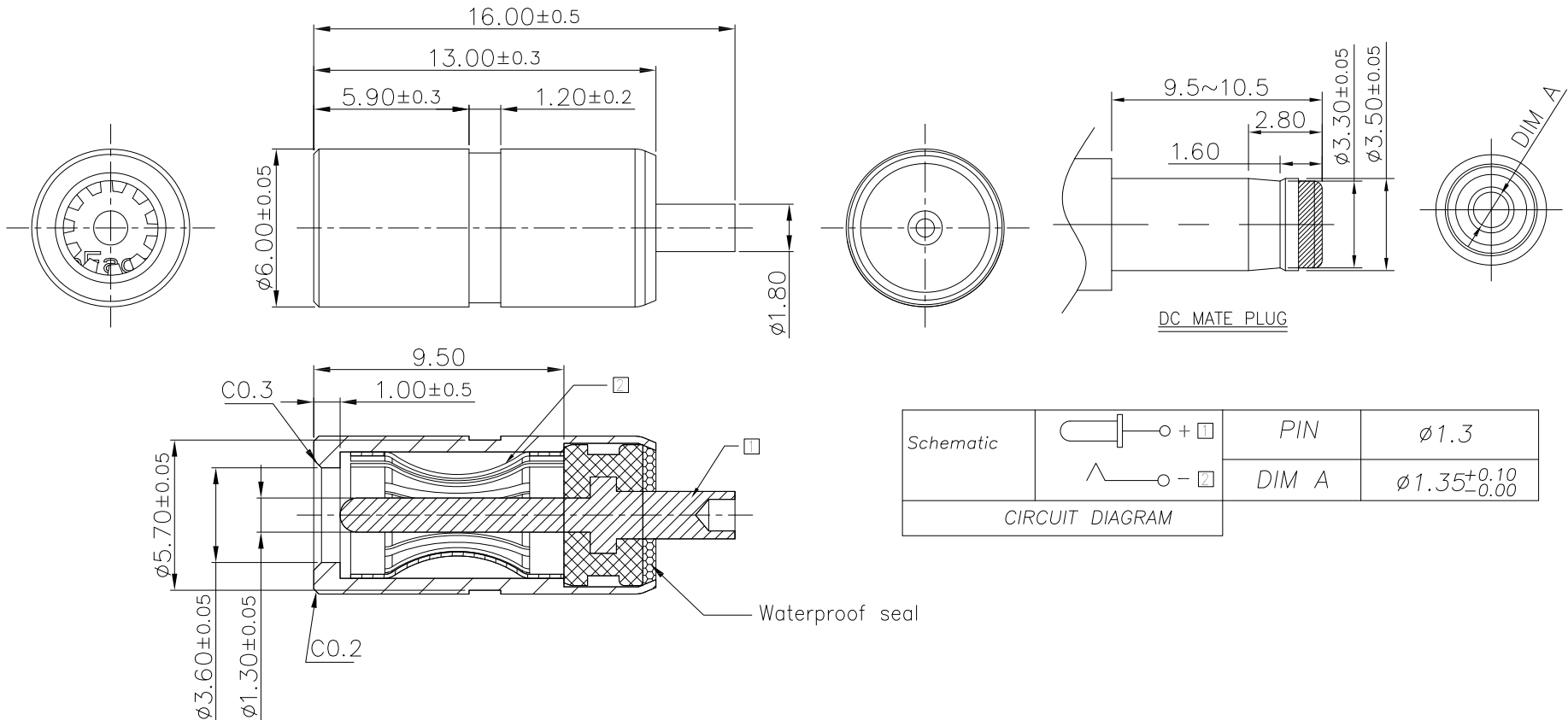


APPROVED: _____
 DATE: _____ TITLE: _____

Rev	AWO #	Description	Date	Appr
-		RELEASED	4/2/19	
A		CHANGED TITLE	12/2/19	



Schematic		PIN	ø1.3
		DIM A	ø1.35 ^{+0.10} _{-0.00}
CIRCUIT DIAGRAM			

SPECIFICATIONS:

Material:
 Housing: Hi-Temp Thermoplastic, reated UL94V-0, Color: Black
 Spring: Phosphor Bronze, Tin plated
 Center pin: Brass, Tin plated
 Bushing: Brass, Nickel plated
 Electrical:
 Rating: 30VDC, 1A
 Contact Resistance: 30 mohm max.
 Insulation Resistane: 100 Mohm min. @ 500 VDC
 Dielectric withstanding voltage: 500 VAC
 Temperature Rating:
 Operating temperature: -20°C to +70°C
 Environmental:
 Waterproof Resistant
 Lead free, RoHS compliant.



UNLESS OTHERWISE SPECIFIED ALL DIMENSIONS ARE MILLIMETERS TOLERANCES: EXCEPT AS NOTED MM ANGLES .X ± 0.38 X ± 5° .XX ± 0.30 .X ± 3° .XXX ± 0.15 .XX ± 2°		ADAM TECH INTERCONNECTS		909 Rahway Avenue, Union, NJ 07083 Phone: 908-687-5000 Fax: 908-687-5710	
APPROVALS		DATE		TITLE	
DRAWN	OW	4/2/19		DC POWER JACK, 1.30MM CENTER PIN , WATER RESISTANT	
CHECKED	AC	4/2/19		SIZE X	PART NO. ADC-119-4-WP
APPROVED				REV. A	
REF: S00002C		SCALE: NTS		SHEET 1 OF 1	