

INTRODUCTION:

Adam Tech EB Series Euro Blocks are a broad range of PCB mounted blocks in various sizes and profiles with pitches ranging from 15.00mm down to 3.50mm. Included are types that have wire entry from Top, Side or Side Angle. Two piece 'pluggable' versions and 'Lever Actuated' styles are also available. Each contains our unique wire guard design and is precision manufactured for smooth operation and ease of use.

SPECIFICATIONS:

Material:

Insulator: PBT or Nylon, glass reinforced, rated UL94V-0
 Insulator Color: Green, Black (Blue and Gray optional)
 Metal cage: Brass, tin plated
 Screw: Steel, Galvanized or Chromatized
 Wire Guard: Stainless Steel, Tin plated

Electrical:

Operating voltage: 250V AC max.
 Current rating: 7 to 15 Amp max
 Contact resistance: 20 mΩ max. initial
 Insulation resistance: 5000 MΩ min.
 Dielectric withstanding voltage: 1500V AC for 1 minute

Mechanical:

Recommended wire size:
 EBC & EBF Series: 16 to 26 Awg
 EBA, EBB, EBD, EBE, & EBJ Series: 14 to 22 Awg
 EBH & EBP Series: 12 to 24 Awg
 EB108 Series: 18 to 24 Awg
 EB109 Series: 10 to 24 Awg
 Mating durability: 500 Cycles min.

Temperature Rating:

Operating temperature: -55°C to +105°C

PACKAGING:

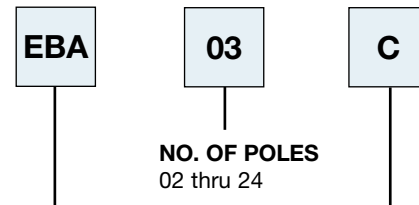
Anti-ESD plastic trays

SAFETY AGENCY APPROVALS:

UL Recognized & CSA Certified, File no. E224053



ORDERING INFORMATION



SERIES INDICATOR

- EBA** = .492" Straight
- EBB** = .394" Straight
- EBC** = .327" Straight
- EBD** = .354" Right Angle
- EBE** = .295" Right Angle
- EBF** = .275" Right Angle
- EBG** = .472" Angled
- EBH** = .590" Pluggable
- EBJ** = .433" Pluggable
- EBK** = .440" Pluggable
- EBP** = Pin Header, Straight
- EBQ** = Header, Right Angle
- EBR** = Pin Header, Straight
- EBS** = Header, Right Angle
- EBT** = Pin Header, Straight
- EBV** = Pin Header, Straight
- EBW** = .335" Straight
- EBV2** = Stacked Euro Blocks
- EB108** = .342" Straight
- EB109** = .850" Straight

CENTERLINE SPACING

- A** = .138" [3.50mm]
- B** = .150" [3.81mm]
- C** = .197" [5.00mm]
- D** = .200" [5.08mm]
- E** = .276" [7.00mm]
- G** = .300" [7.62mm]
- H** = .394" [10.00mm]
- J** = .400" [10.16mm]
- K** = .591" [15.00mm]
- S** = .374" [9.50mm]

STANDARD BODY COLORS:


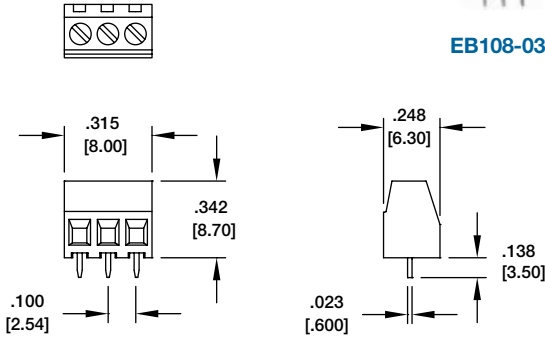

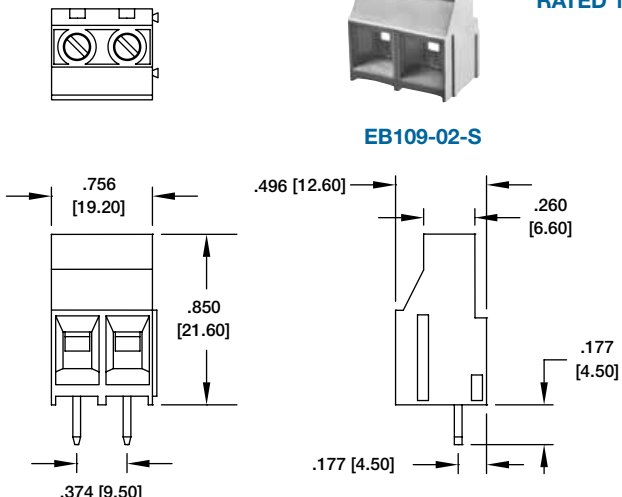

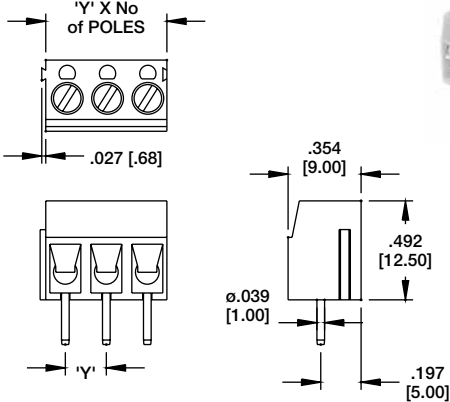

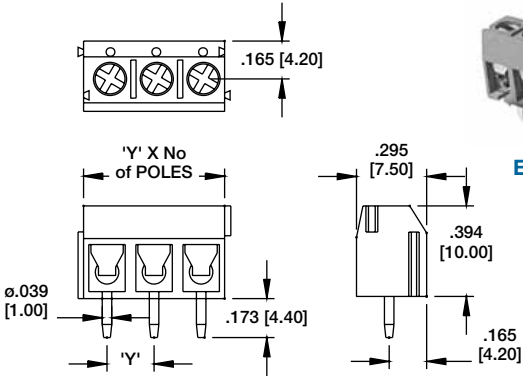

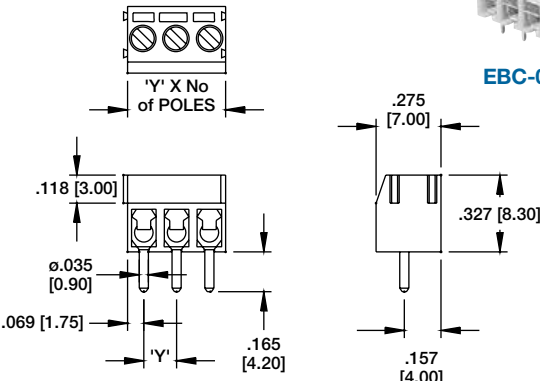

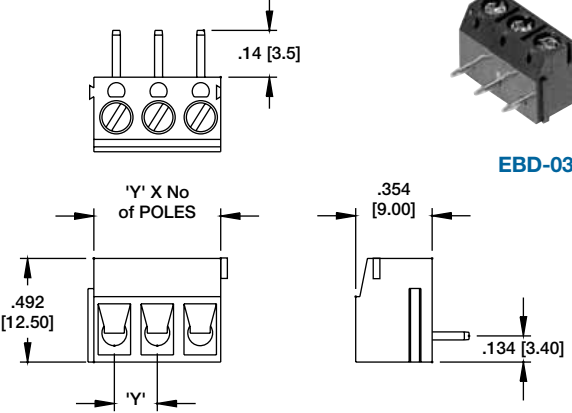
BLACK: Series EBA, EBB, EBC, EBD, EBE, EBF, EBG, EBJ, EBT
GREEN: Series EBH, EBP, EBQ, EBK, EBR, EBS, EBV, EBM, EBN, EBW, TSE, EB108, EB109

Consult factory for additional colors

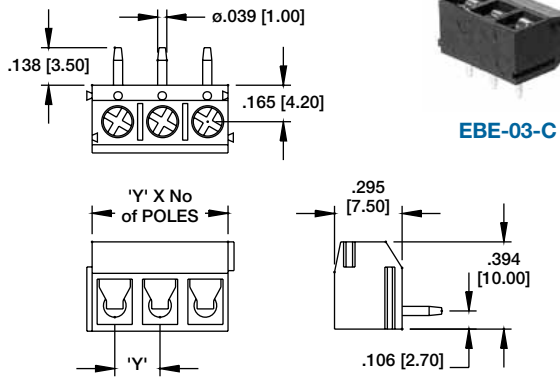
OPTIONS:

Add designator(s) to end of part number
C = Closed sides, body styles EBP & EBQ
E = Mounting ears, body styles EBH & EBK



<p style="text-align: right;">EB108</p>  <p style="text-align: center;">EB108-03-L</p>  <p>Dimensions: .315 [8.00], .342 [8.70], .100 [2.54], .248 [6.30], .138 [3.50], .023 [6.00]</p>	<p style="text-align: right;">EB109 RATED 15A</p>  <p style="text-align: center;">EB109-02-S</p>  <p>Dimensions: .756 [19.20], .496 [12.60], .260 [6.60], .177 [4.50], .850 [21.60], .374 [9.50], .177 [4.50]</p>
<p style="text-align: right;">EBA</p>  <p style="text-align: center;">EBA-03-C</p>  <p>Dimensions: 'Y' X No of POLES, .027 [6.8], .354 [9.00], .492 [12.50], .197 [5.00], ϕ.039 [1.00]</p> <p>Available centerline spacings: C = .197 [5.00] H = .394 [10.00] K = .591 [15.00]</p>	<p style="text-align: right;">EBB</p>  <p style="text-align: center;">EBB-03-D</p>  <p>Dimensions: .165 [4.20], .295 [7.50], .394 [10.00], .165 [4.20], .173 [4.40], ϕ.039 [1.00], 'Y' X No of POLES</p> <p>Available centerline spacings: C = .197 [5.00] D = .200 [5.08] H = .394 [10.00] J = .400 [10.16]</p>
<p style="text-align: right;">EBC</p>  <p style="text-align: center;">EBC-03-A</p>  <p>Dimensions: 'Y' X No of POLES, .118 [3.00], .069 [1.75], ϕ.035 [0.90], .165 [4.20], .275 [7.00], .327 [8.30], .157 [4.00]</p> <p>Available centerline spacings: A = .138 [3.50] E = .276 [7.00]</p>	<p style="text-align: right;">EBD</p>  <p style="text-align: center;">EBD-03-C</p>  <p>Dimensions: .14 [3.5], .354 [9.00], .492 [12.50], 'Y' X No of POLES, .134 [3.40]</p> <p>Available centerline spacings: C = .197 [5.00] H = .394 [10.00]</p>

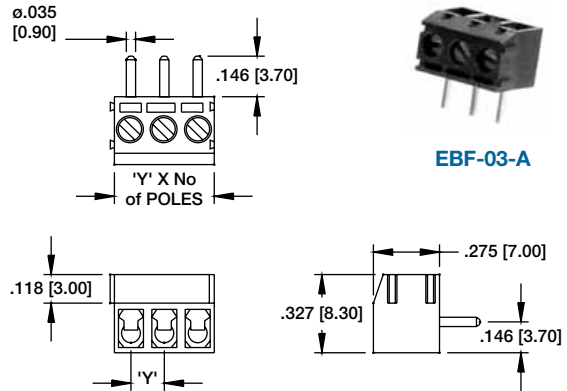
EBE



EBE-03-C

REPLACE 'Y' WITH PITCH
 C = .197 [5.00] D = .200 [5.08] H = .394 [10.00] J = .400 [10.16]

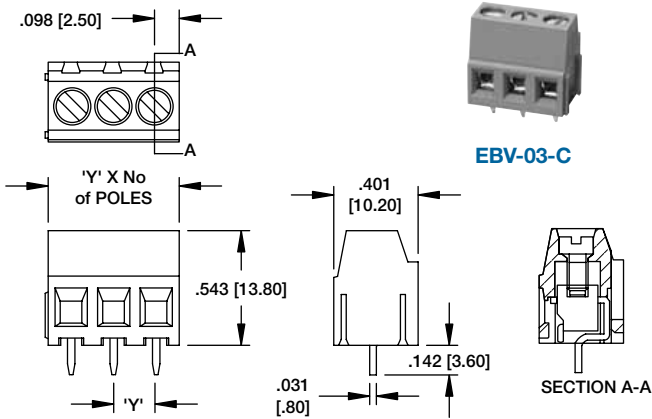
EBF



EBF-03-A

REPLACE 'Y' WITH PITCH
 A = .138 [3.50] E = .276 [7.00]

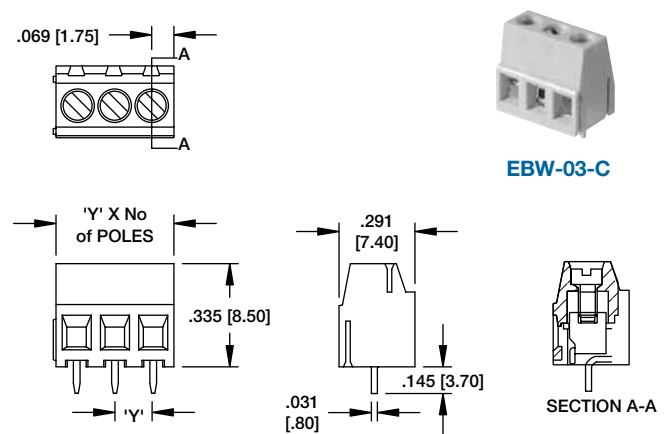
EBV



EBV-03-C

REPLACE 'Y' WITH PITCH
 C = .197 [5.00] D = .200 [5.08] H = .394 [10.00] J = .400 [10.16]

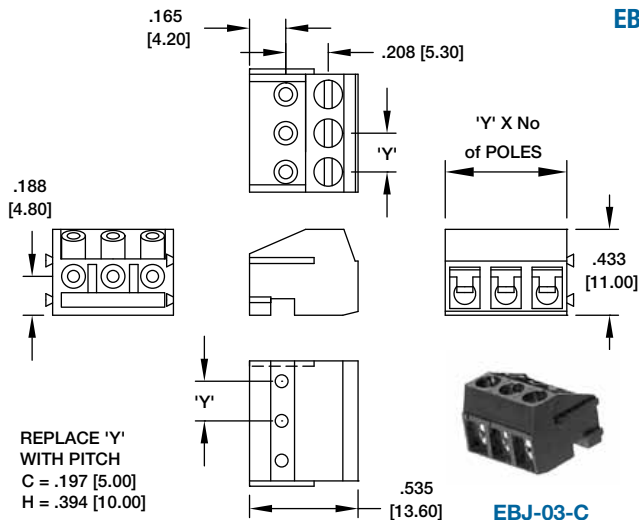
EBW



EBW-03-C

REPLACE 'Y' WITH PITCH
 A = .138 [3.50] E = .276 [7.00]

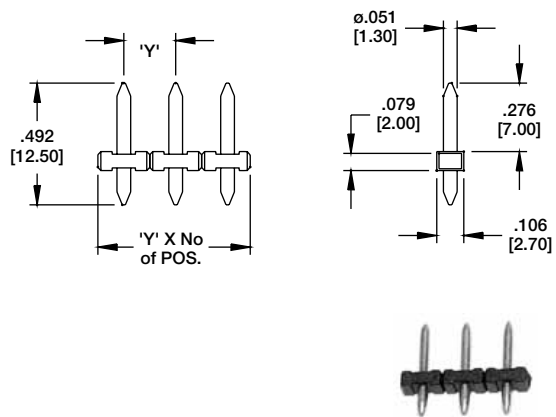
EBJ



EBJ-03-C

REPLACE 'Y' WITH PITCH
 C = .197 [5.00] H = .394 [10.00]

EBT

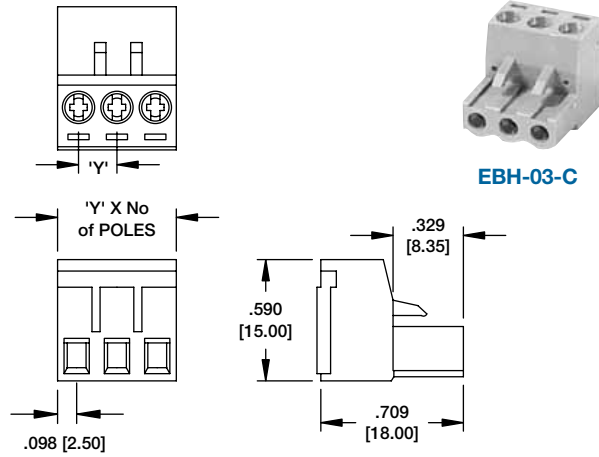


EBT-03-C

REPLACE 'Y' WITH PITCH
 C = .197 [5.00] H = .394 [10.00]

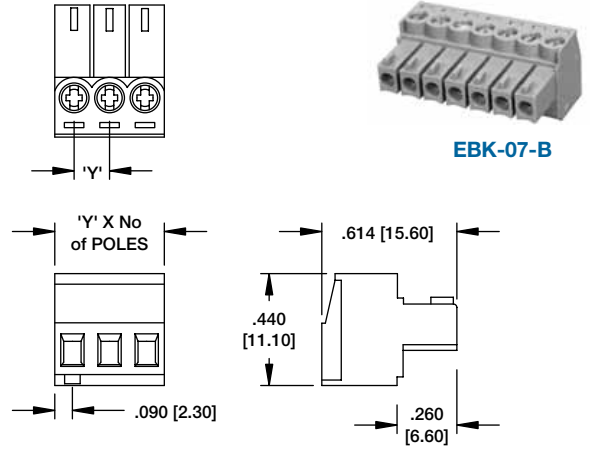
PLUGGABLE BLOCK WITH STRAIGHT OR RIGHT ANGLE HEADER

EBH



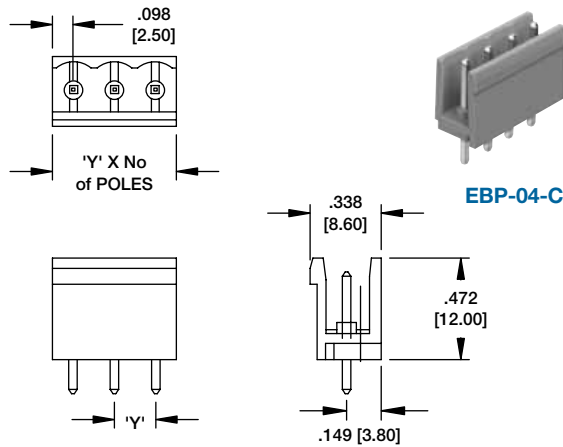
PLUGGABLE BLOCK WITH STRAIGHT OR RIGHT ANGLE HEADER

EBK



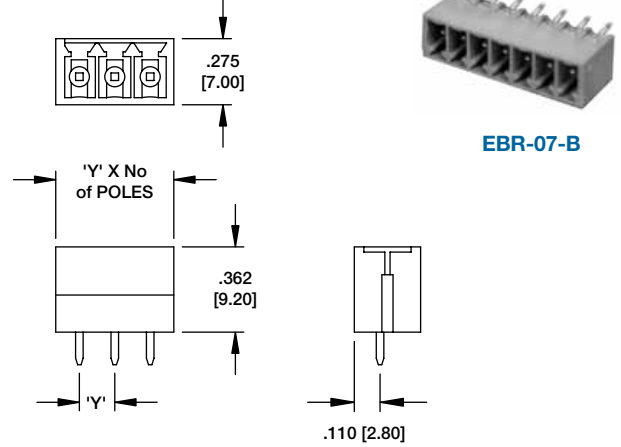
STRAIGHT HEADER

EBP



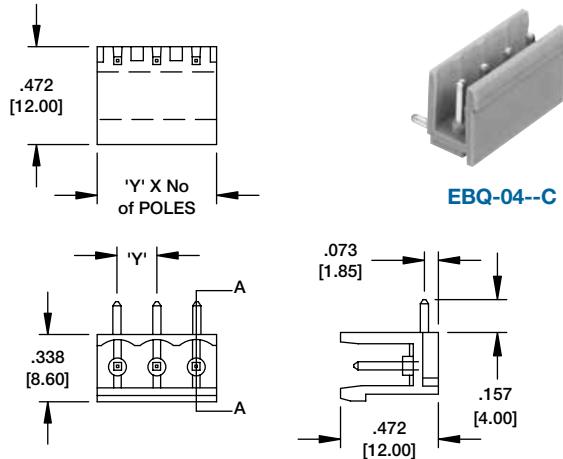
STRAIGHT HEADER

EBR



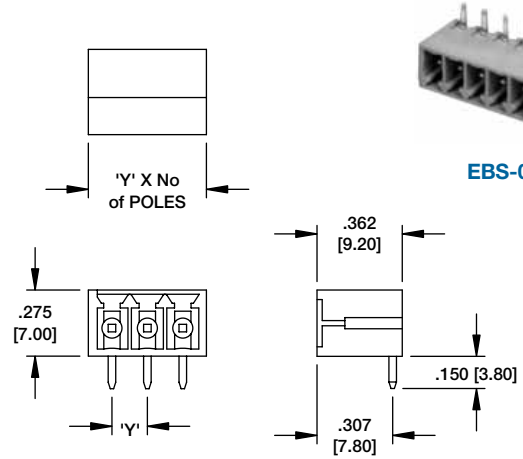
RIGHT ANGLE HEADER

EBQ



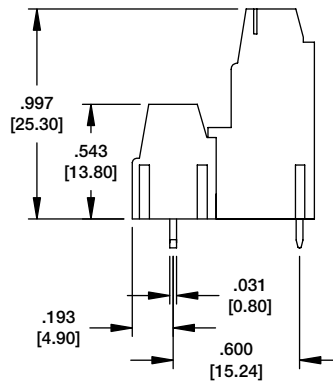
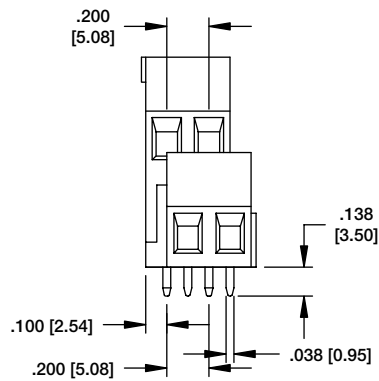
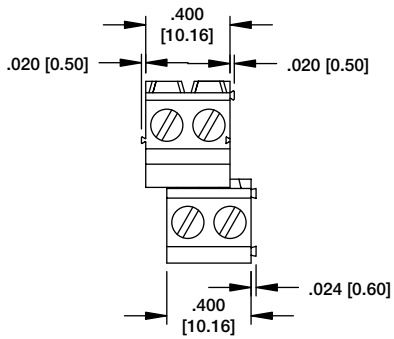
RIGHT ANGLE HEADER

EBS



REPLACE 'Y' WITH PITCH
 C = .197 [5.00] D = .200 [5.08]
 H = .394 [10.00] J = .400 [10.16]

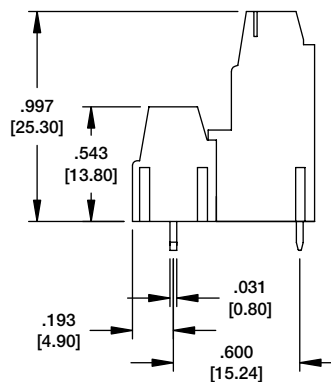
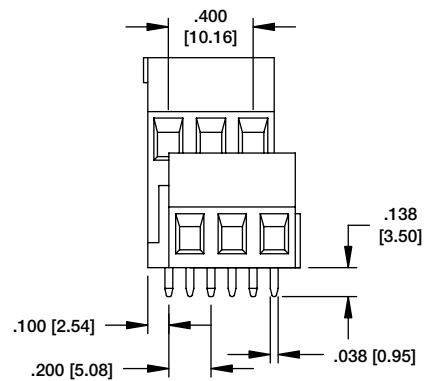
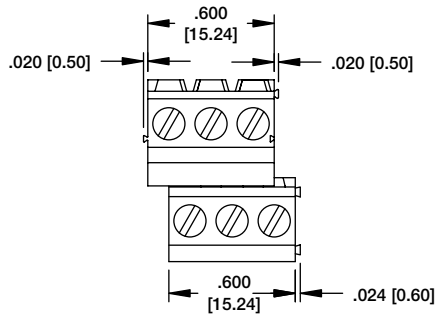
REPLACE 'Y' WITH PITCH
 A = .138 [3.50] B = .150 [3.81]
 E = .276 [7.00] G = .300 [7.62]



EBV2-02-D
2 POSITION STACKED BLOCK
SLIDE TOGETHER SIDE STACKABLE



EBV2-02-D



EBV2-03-D
3 POSITION STACKED BLOCK
SLIDE TOGETHER SIDE STACKABLE



EBV2-03-D