

INTRODUCTION:

Adam Tech MHF Series IDC Latch Headers are designed to quickly and easily mass terminate to .050" flat cable. The IDC termination is converted to a Shrouded Box Header with ejector/latches and a polarizing slot that mates with standard IDC sockets. This connector is ideal for splicing and making "T" taps to a cable bus. Adam Tech's sturdy design features solid, selectively gold plated .025"sq. copper alloy posts.

FEATURES:

- Latches for secure attachment
- Latch ejection feature makes socket removal easy
- IDC Cable to Shrouded Box Header
- Mates with standard IDC sockets
- Ideal for splicing and "T" taps to cable bus
- Solid selectively gold plated contacts

MATING CONNECTORS:

Mates with Adam Tech FCS Series .100" (2.54mm) dual row IDC sockets

SPECIFICATIONS:

Material:

Insulator: PBT, rated UL94V-0

Insulator Color: Gray

Contacts: Brass

Contact Plating:

Gold flash (30 μ m optional) over nickel on contact area,
Tin over copper underplate on IDC area

Electrical:

Operating voltage: 250V AC max.

Current rating: 1 Amp max

Contact resistance: 20 m Ω max. initial

Insulation resistance: 5000 M Ω min.

Dielectric withstanding voltage: 1000V AC for 1 minute

Mechanical:

Insertion force: 0.5 lbs per circuit max.

Withdrawal force: 0.094 lbs per circuit min

Mating durability: 500 Cycles min.

Recommended cable size: 28 Awg stranded

Temperature Rating:

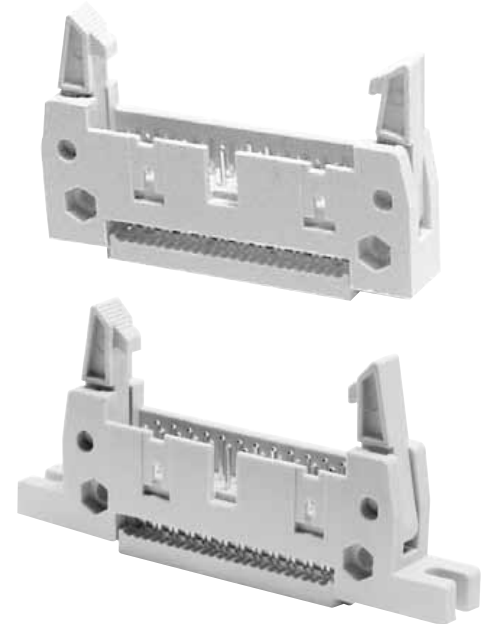
Operating temperature: -40°C to +105°C

PACKAGING:

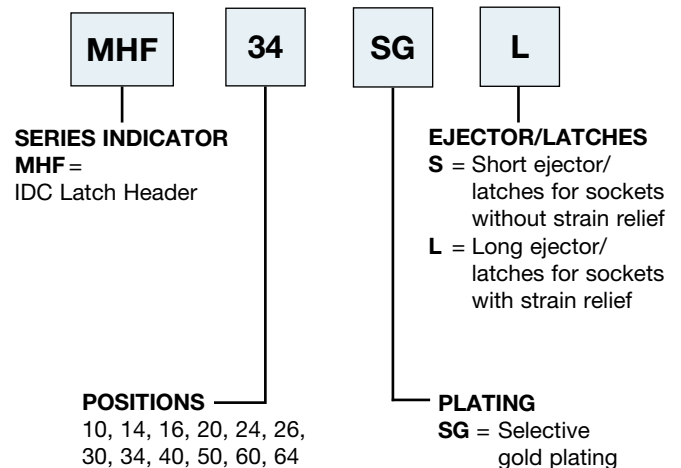
Anti-ESD plastic trays

SAFETY AGENCY APPROVALS:

UL Recognized & CSA Certified, File no. E224053



ORDERING INFORMATION



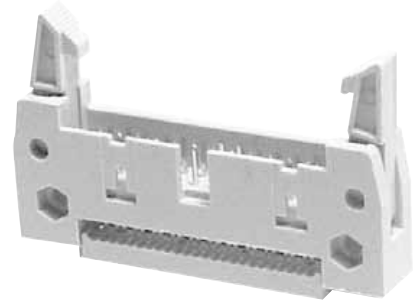
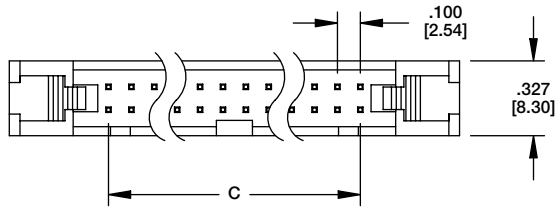
OPTIONS:

Add designator(s) to end of part number

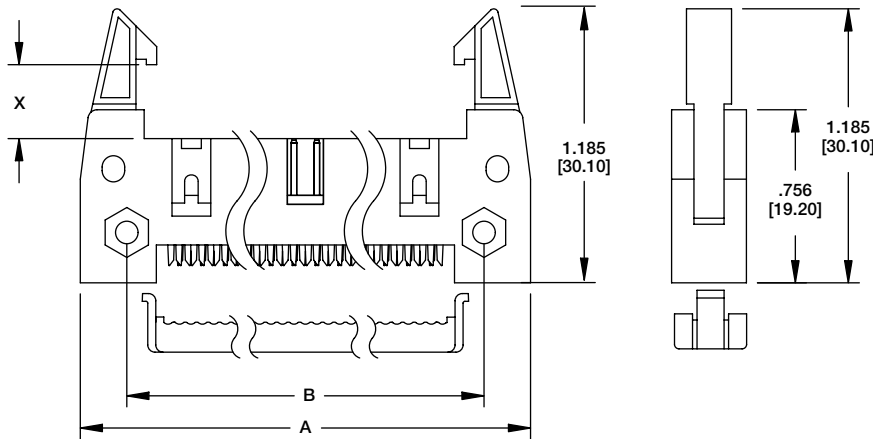
E = Mounting ears



MHF HEADER



MHF-34-SG-L



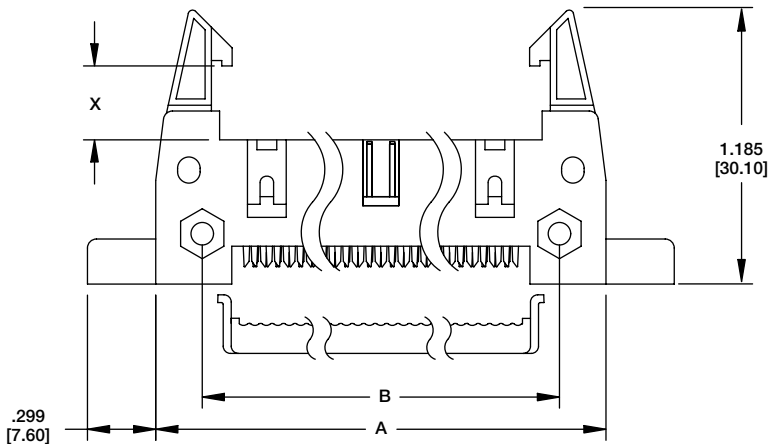
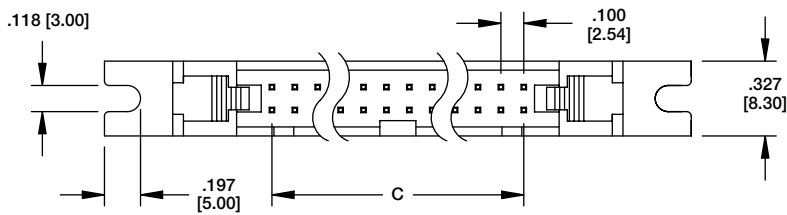
Short Latch (No Strain Relief Type)

X= .236 [6.00]

Long Latch (Strain Relief Type)

X= .315 [8.00]

MHF HEADER WITH MOUNTING EAR OPTION



PART NO. & POSITIONS	DIMENSIONS		
	A	B	C
MHF-10	1.266 [32.17]	.860 [21.85]	.400 [10.16]
MHF-14	1.466 [37.25]	1.060 [26.93]	.600 [15.24]
MHF-16	1.566 [39.79]	1.160 [29.47]	.700 [17.78]
MHF-20	1.766 [44.87]	1.360 [34.55]	.900 [22.86]
MHF-24	1.966 [49.95]	1.560 [39.63]	1.100 [27.94]
MHF-26	2.066 [52.49]	1.660 [42.17]	1.200 [30.48]
MHF-30	2.266 [57.57]	1.860 [47.25]	1.400 [35.56]
MHF-34	2.466 [62.65]	2.060 [52.33]	1.600 [40.64]
MHF-40	2.766 [70.27]	2.360 [59.95]	1.900 [48.26]
MHF-50	3.266 [82.97]	2.860 [72.65]	2.400 [60.96]
MHF-60	3.766 [95.67]	3.360 [85.34]	2.900 [73.66]
MHF-64	3.966 [100.75]	3.560 [90.43]	3.100 [78.74]