

MEMORY SOCKETS

MEMORY STICK, SMART MEDIA,
SECURE DIGITAL & PCMCIA
COMPACT FLASH

INTRODUCTION:

Adam Tech's Memory Connector series is a complete range of memory sockets for most memory card applications including Compact Flash, PCMCIA, Memory Stick and Secure Digital. Our advanced designs are focused on their ease of use, mating accuracy, card retention and cycle life. Precision engineered, extremely durable mating contacts and PCB leads contribute to a solid, high reliability, long life design.

FEATURES:

Multitude of sockets to satisfy most applications
Precision, compact designs
Fine pitched, heavy duty contacts
Sockets conform to CFA, JEIDA, PCMCIA & JEDEC

MATING OPTIONS:

All industry standard memory cards

SPECIFICATIONS:

Material:

Insulator: PA9 or LCP, glass reinforced, rated UL94V-0
Contacts: Phosphor Bronze
Frame / shield: Brass, nickel plated

Contact Plating:

Gold over nickel underplate on contact area, tin over copper underplate on tails.

Electrical:

Operation voltage: 250V AC max.
Current rating: 0.5 and 1 Amps max.
Contact resistance: 40 mΩ max. initial
Insulation resistance: 1000 MΩ min.
Dielectric withstanding voltage: 1000V AC for 1 minute

Mechanical:

Mating durability: 10,000 cycles min.

Temperature Rating:

Operating temperature: -20°C to +85°C

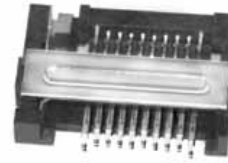
PACKAGING:

Anti-ESD plastic trays

SAFETY AGENCY APPROVALS:

UL Recognized & CSA Certified, File no. E224053

Memory Stick



MS-10-A-SG
Pg 276

Micro Secure Digital (Push-Push Type)



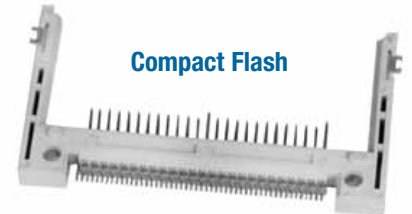
MCSP-08-C-SG (Reverse Type)
Pg 276

Mini Secure Digital



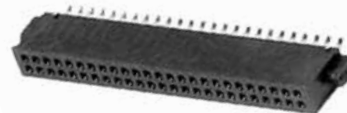
MSD-11-B-SG (Standard Type)
Pg 278

Compact Flash



CFA-50-A-SG-B-1
Pg 280-281

Compact Flash

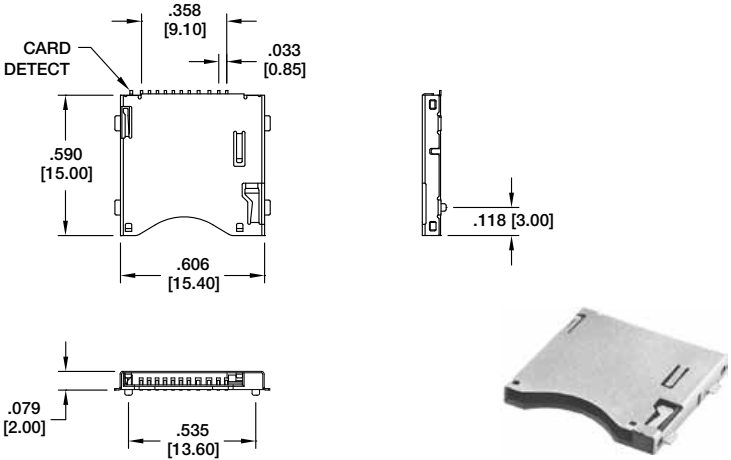


CFA-50-A-SMT-A
Pg 279

OPTIONS:

Add designator(s) to end of part number
30 = 30 μin gold plating in contact area

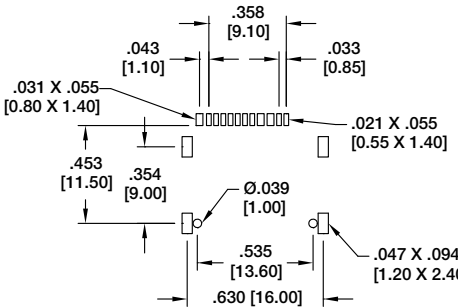




Dimensions: .358 [9.10], .033 [0.85], .590 [15.00], .606 [15.40], .079 [2.00], .535 [13.60], .118 [3.00]

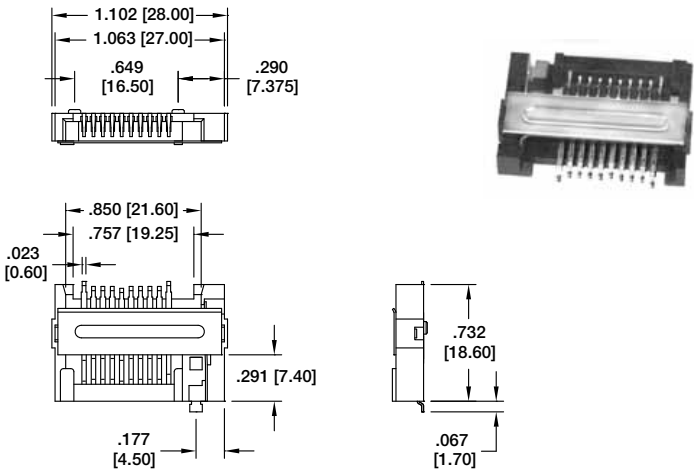
CARD DETECT

MICRO MEMORY STICK
MMSP-11-A-SG



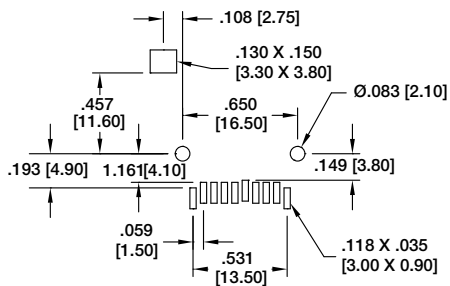
Recommended PCB Layout

Dimensions: .358 [9.10], .033 [0.85], .043 [1.10], .031 X .055 [0.80 X 1.40], .021 X .055 [0.55 X 1.40], .453 [11.50], .354 [9.00], Ø.039 [1.00], .535 [13.60], .047 X .094 [1.20 X 2.40], .630 [16.00]



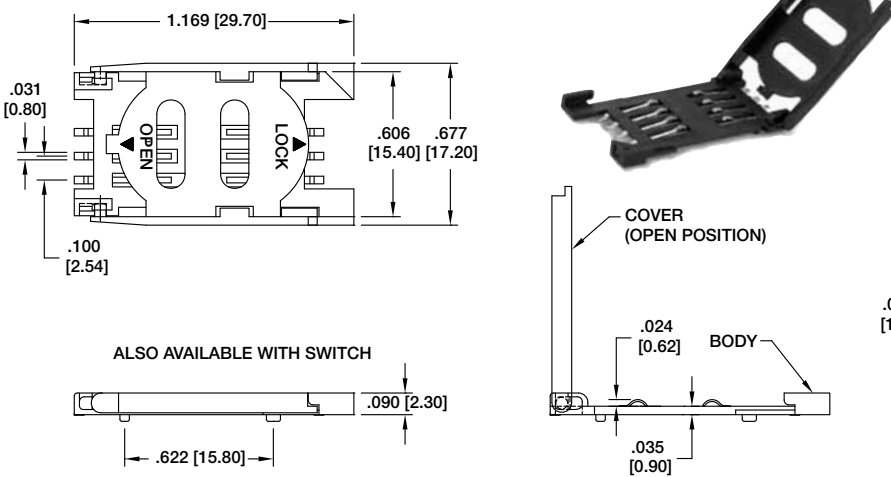
Dimensions: 1.102 [28.00], 1.063 [27.00], .649 [16.50], .290 [7.375], .850 [21.60], .757 [19.25], .023 [0.60], .291 [7.40], .177 [4.50], .732 [18.60], .067 [1.70]

MEMORY STICK
MS-10-A-SG (NORMAL TYPE)



Recommended PCB Layout

Dimensions: .108 [2.75], .130 X .150 [3.30 X 3.80], Ø.083 [2.10], .457 [11.60], .650 [16.50], .149 [3.80], .193 [4.90], 1.161 [4.10], .059 [1.50], .531 [13.50], .118 X .035 [3.00 X 0.90]



Dimensions: 1.169 [29.70], .031 [0.80], .100 [2.54], .606 [15.40], .677 [17.20], .090 [2.30], .622 [15.80]

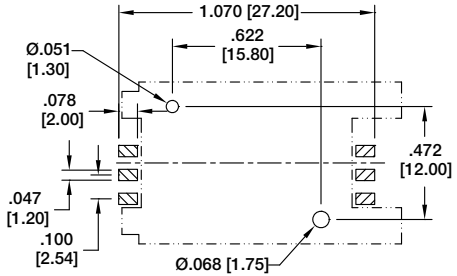
ALSO AVAILABLE WITH SWITCH

COVER (OPEN POSITION)

BODY

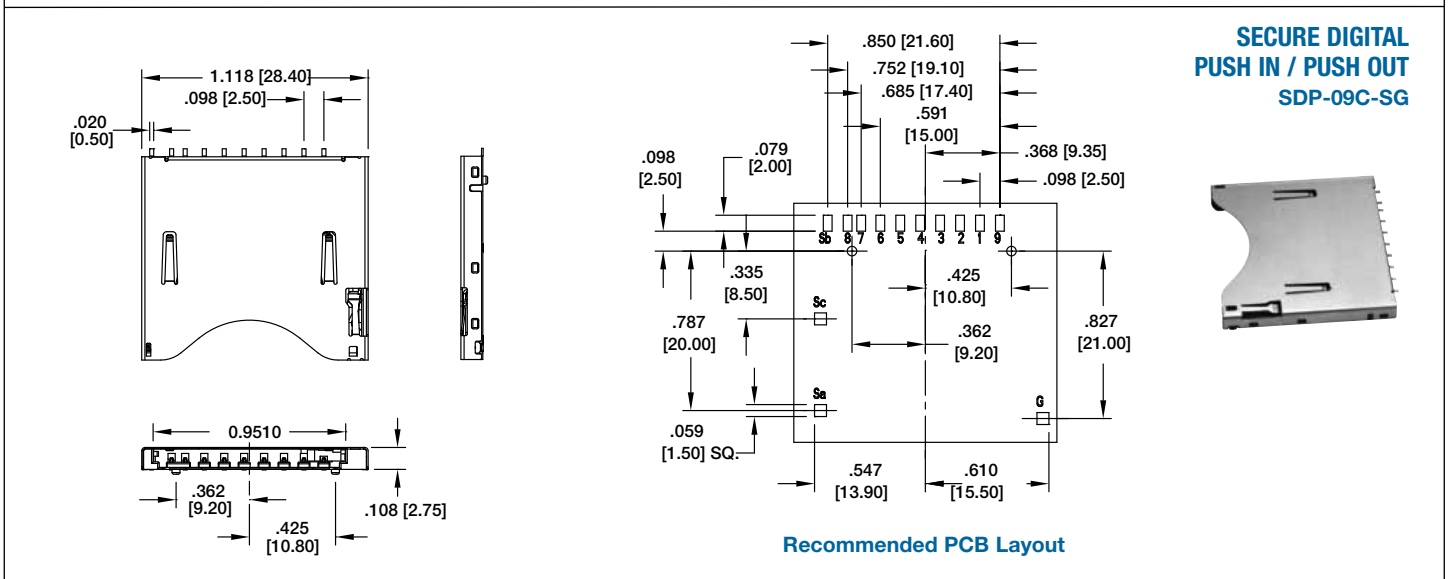
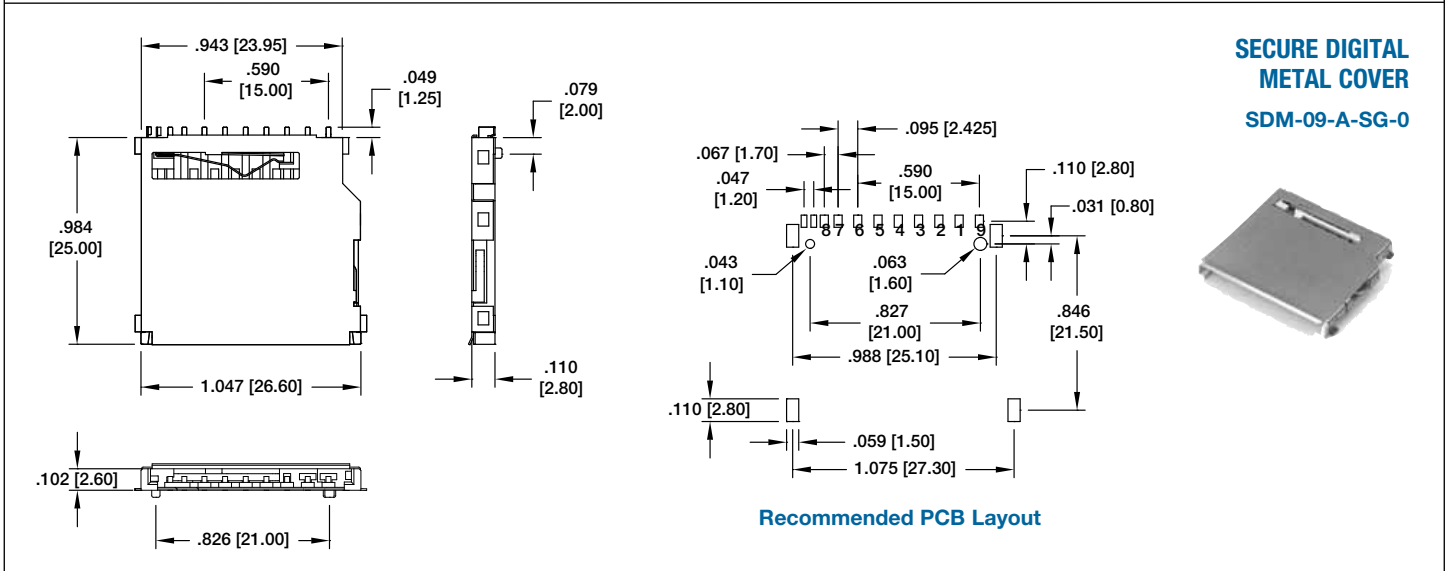
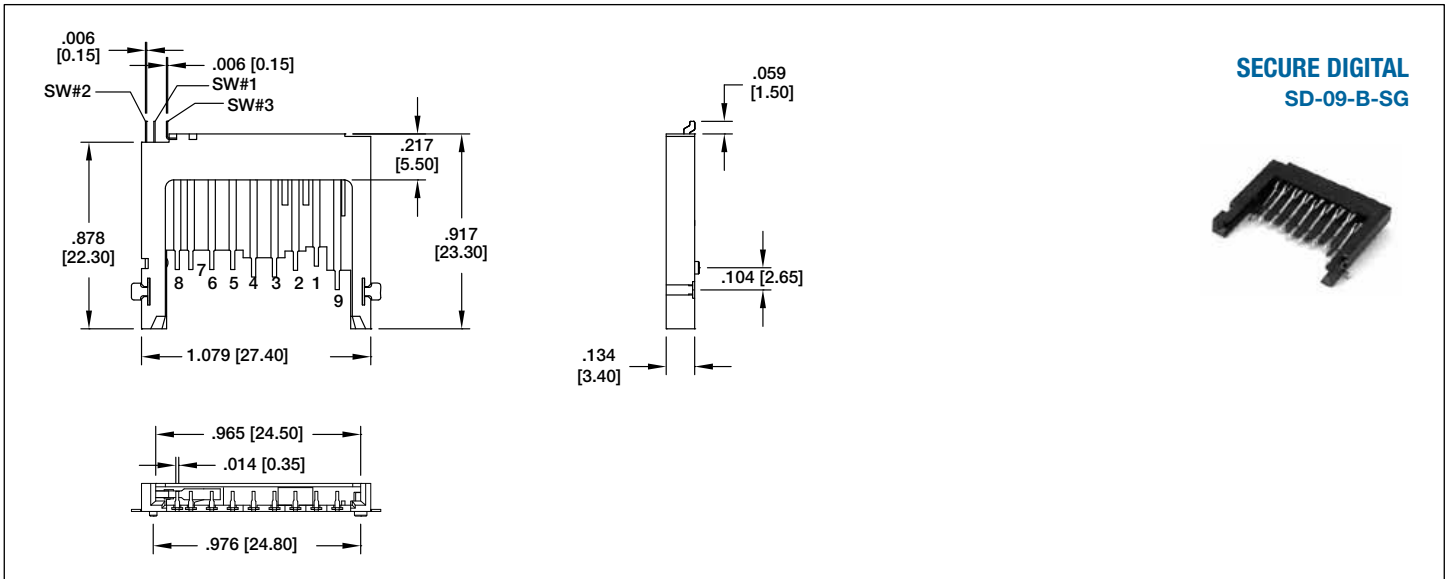
Dimensions: .024 [0.62], .035 [0.90]

SIM CARD SOCKET
SCC-06-SG-HC-NS

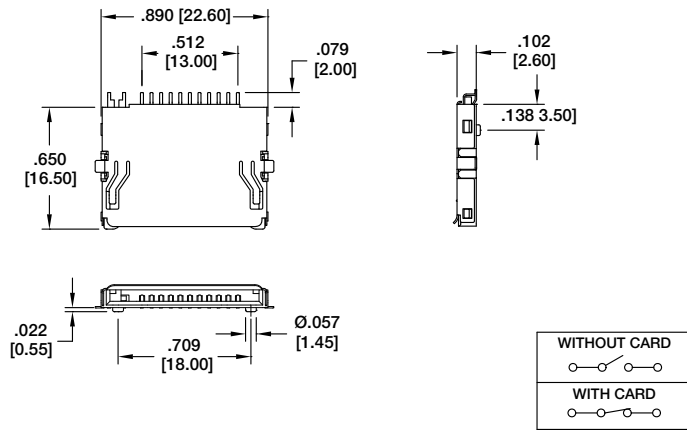


Recommended PCB Layout

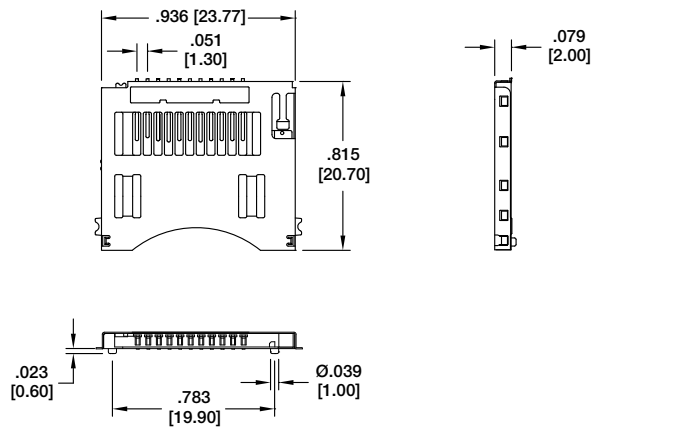
Dimensions: 1.070 [27.20], .622 [15.80], Ø.051 [1.30], .078 [2.00], .472 [12.00], Ø.068 [1.75], .047 [1.20], .100 [2.54]



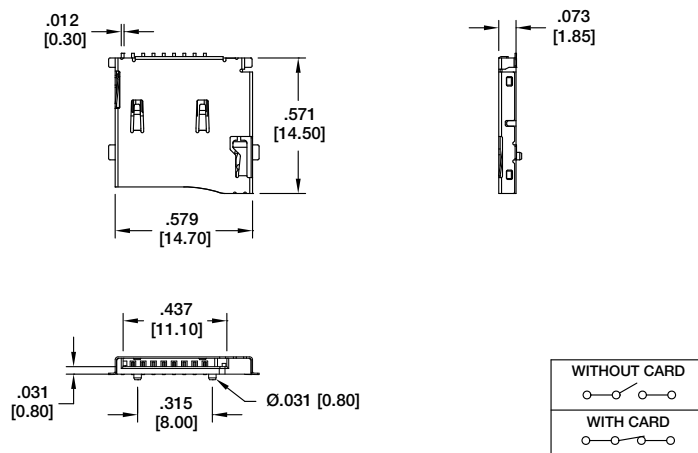
MINI SECURE DIGITAL MSD-11-B-SG (STANDARD TYPE)



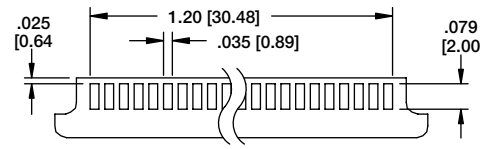
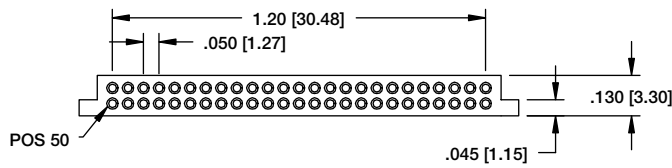
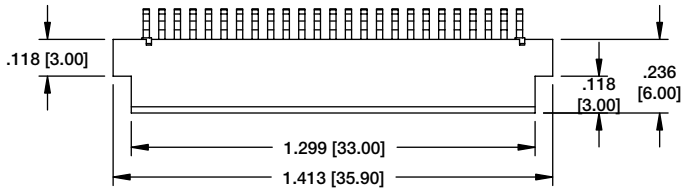
MINI SECURE DIGITAL (PUSH - PUSH TYPE) MSDPR-11-B-SG (REVERSE TYPE)



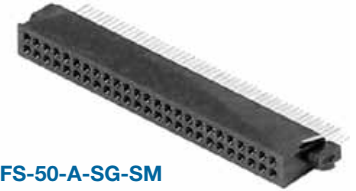
MICRO SECURE DIGITAL (PUSH - PUSH TYPE) MCSP-08-C-SG



50 PIN COMPACT FLASH SOCKET STRADDLE MOUNT

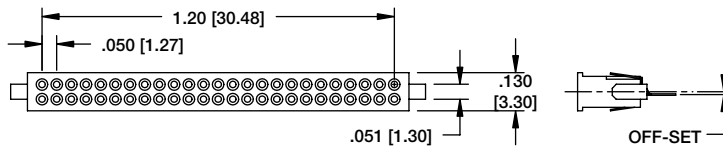
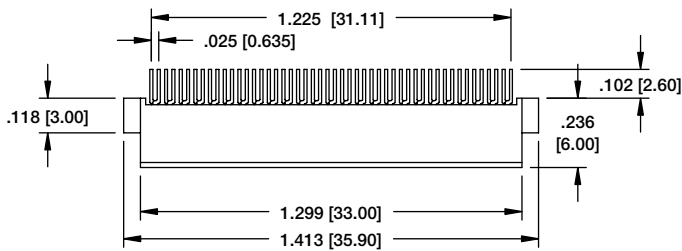


Recommended PCB Layout

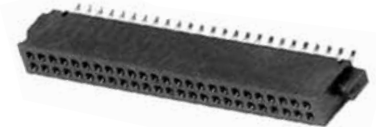


CFS-50-A-SG-SM

50 PIN COMPACT FLASH SOCKET SURFACE MOUNT



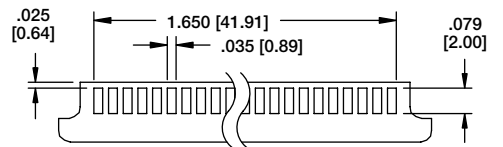
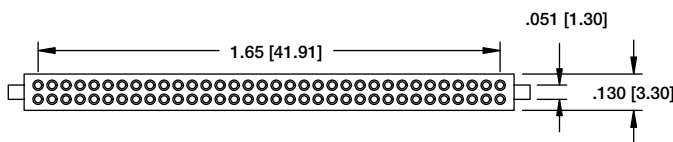
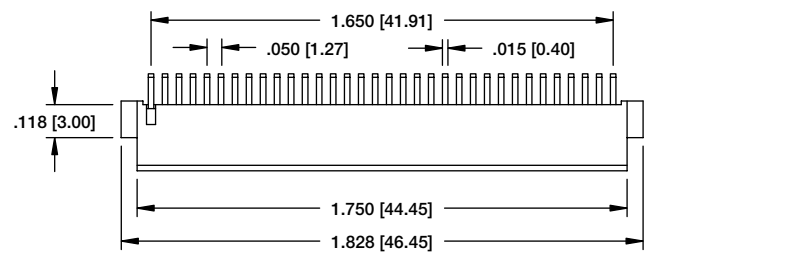
Recommended PCB Layout



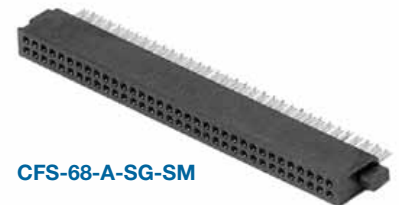
CFS-50-A-SMT-B

ADAM TECH PART NO.	"X" OFFSET
CFS-50-A-SMT-B	.012 [0.30]
CFS-50-A-SMT-C	.023 [0.60]
CFS-50-A-SMT-D	.035 [0.95]

68 PIN COMPACT FLASH SOCKET STRADDLE MOUNT

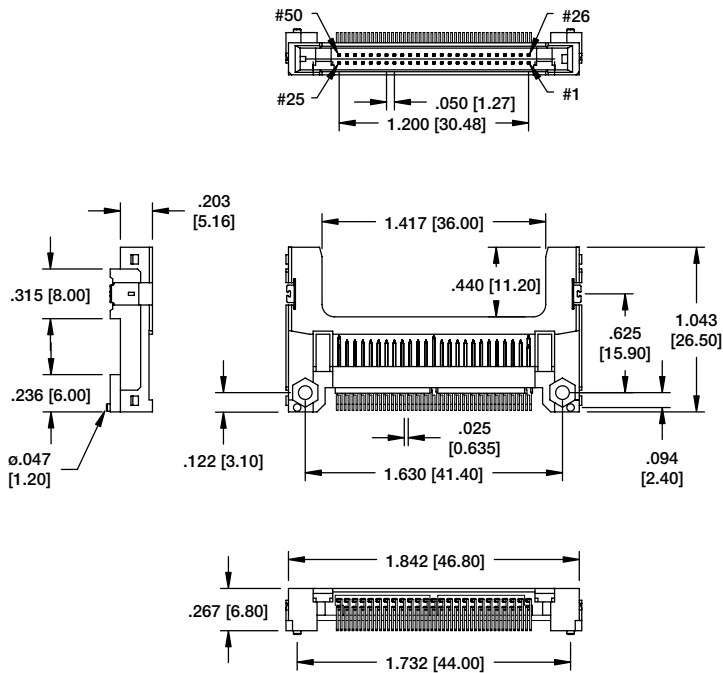


Recommended PCB Layout

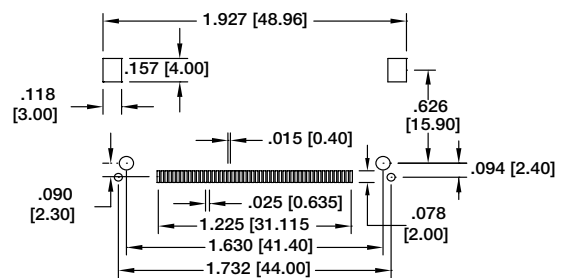


CFS-68-A-SG-SM

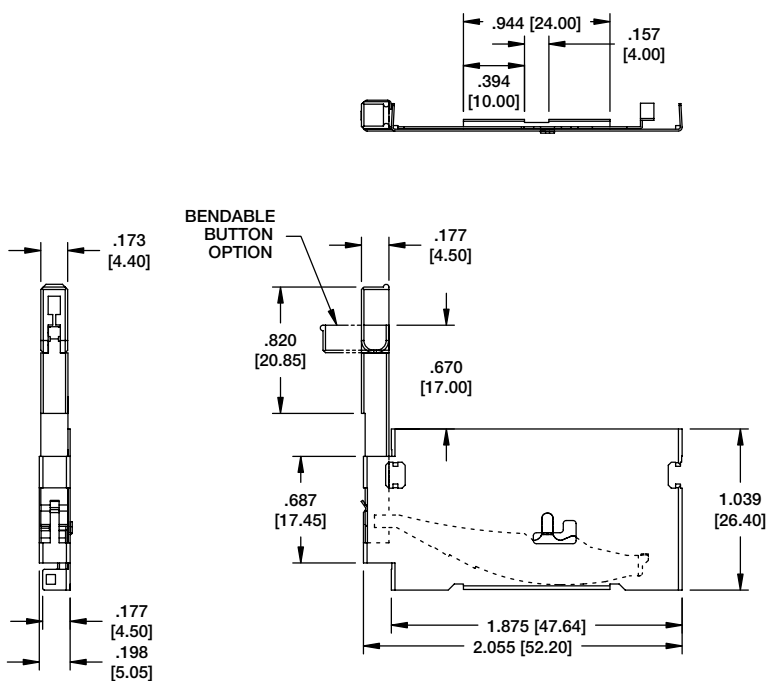
50 PIN COMPACT FLASH, TYPE 1



Part Nos. Available
CF1-50-A-SG (Standard Type)
CF1R-50-A-SG (Reverse Type) Not Shown



50 PIN COMPACT FLASH, EJECTOR (FOR USE WITH CF1 AND CF1R SERIES SOCKETS)



Part Nos. Available
CFE-50-L15 (15.0mm long Ejector button)
CFE-50-L20 (20.0mm long Ejector button)
CFE-50-L22 (22.0mm long Ejector button)

