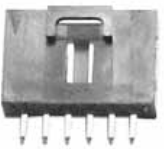
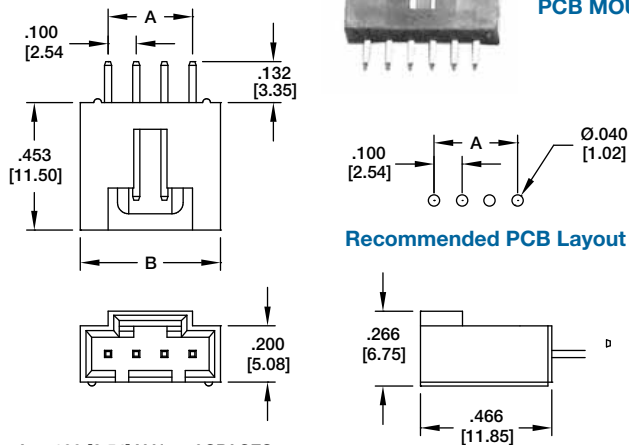

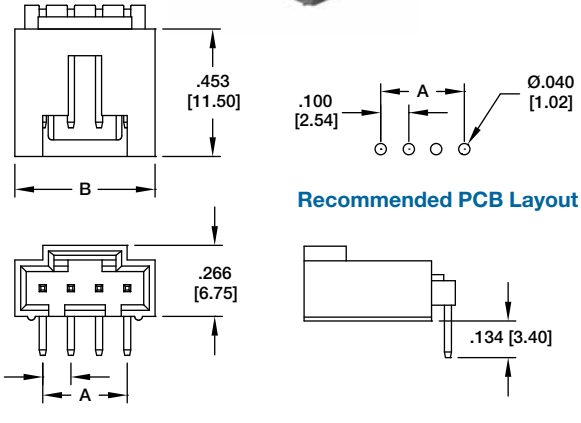
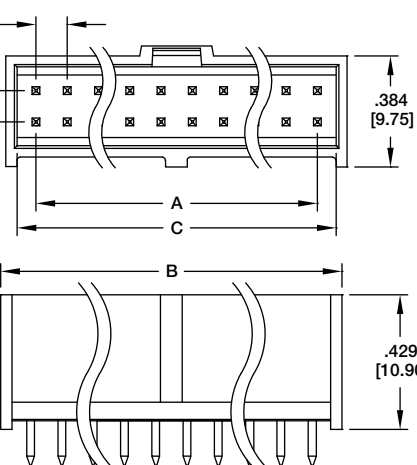
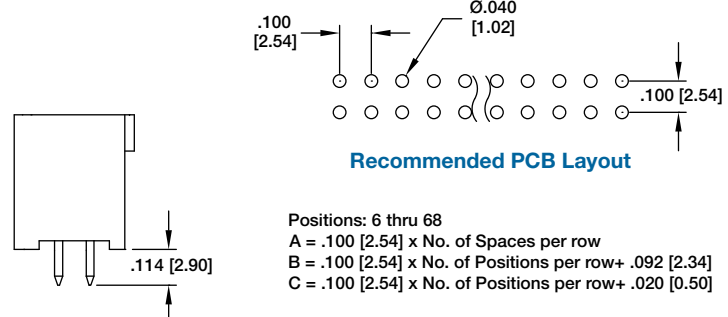

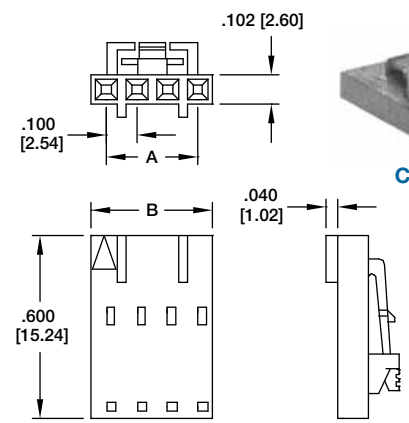

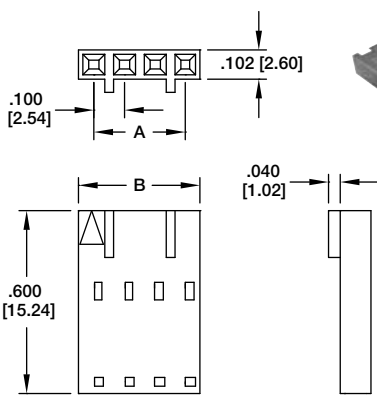
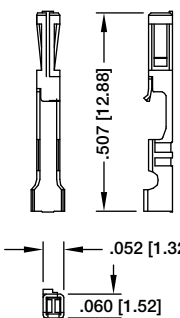


<p>CDR-06-TS</p>  <p>CDR STRAIGHT PCB MOUNT</p>  <p>A = .100 [2.54] X No. of SPACES B = .100 [2.54] X No. of SPACES + .200 [5.08]</p>	<p>CDR-06-TR</p>  <p>CDR RIGHT ANGLE PCB MOUNT</p>  <p>A = .100 [2.54] X No. of SPACES B = .100 [2.54] X No. of SPACES + .200 [5.08]</p>	
 <p>CDR2 DUAL ROW PCB MOUNT</p>  <p>Positions: 6 thru 68 A = .100 [2.54] x No. of Spaces per row B = .100 [2.54] x No. of Positions per row + .092 [2.34] C = .100 [2.54] x No. of Positions per row + .020 [0.50]</p>		
<p>CDH HOUSING</p>  <p>CDH-04</p>  <p>A = .100 [2.54] X No. of SPACES B = .100 [2.54] X No. of POSITIONS</p>	<p>CDN HOUSING</p>  <p>CDN-04-NL</p>  <p>A = .100 [2.54] X No. of SPACES B = .100 [2.54] X No. of POSITIONS</p>	<p>CDH-C-R CONTACT</p>  <p>Recommended wire size 24-28 awg.</p>