

### INTRODUCTION:

Adam Tech CDR & CDH series latching header & housing sets were designed to attach wires to a PCB. This series features a latching housing which mates to a polarized, locking header. This set provides a secure, easy to mate connection with superior electrical characteristics.

### FEATURES:

Secure, latching header & housing sets  
Precision .025" sq. posts  
Latching housing  
Polarized anti-vibration design  
Available in 2 - 12 positions

### MATING CONNECTORS:

All industry standard .100 centerline compatible latching headers and housings

### SPECIFICATIONS:

#### Material:

Insulator: Nylon 66, rated UL94V-0  
Insulator Color: Black (White optional)  
Contacts: Phosphor bronze

#### Contact Plating:

Tin over copper underplate overall

#### Electrical:

Operating voltage: 250V AC max.  
Current rating: 3 Amps max.  
Insulation resistance: 1000 MΩ min.  
Dielectric withstanding voltage: 500V AC for 1 minute

#### Mechanical:

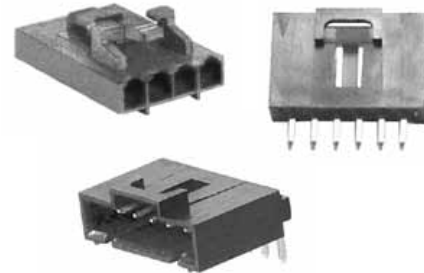
Recommended wire size: 22 to 28 Awg with .059" O.D. insulation max.  
Temperature Rating:  
Operating temperature: -25°C to +85°C

#### PACKAGING:

Anti-ESD plastic bags

#### SAFETY AGENCY APPROVALS:

UL Recognized & CSA Certified, File no. E224053



### HEADER ORDERING INFORMATION

CDR	04	TS
<b>SERIES INDICATOR</b> CDR = Latching Shrouded Header CDR2 = Dual Row Latching Shrouded Header	<b>POSITIONS</b> 02 thru 12  06 thru 24	<b>MOUNTING</b> TS = Straight PCB Mount TR = Right Angle PCB Mount

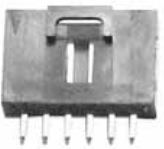
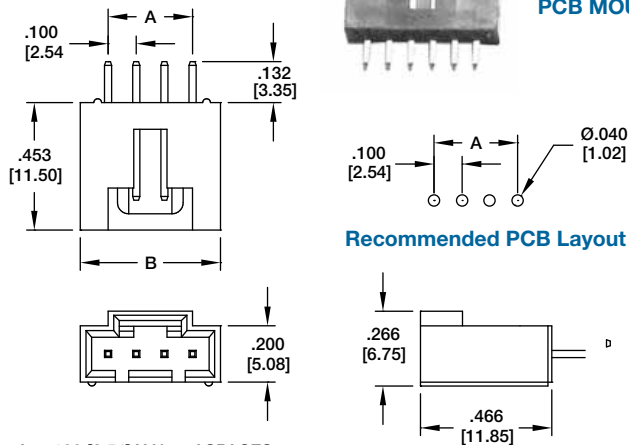

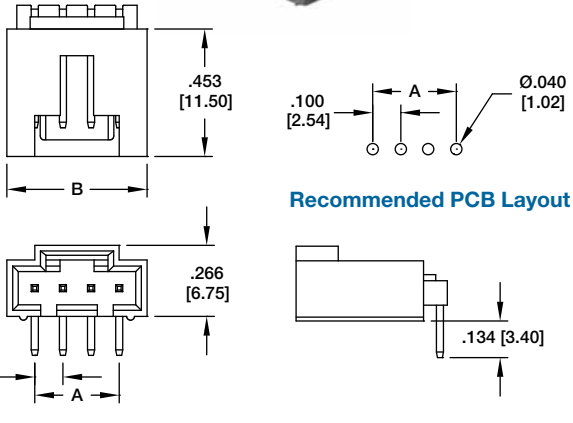
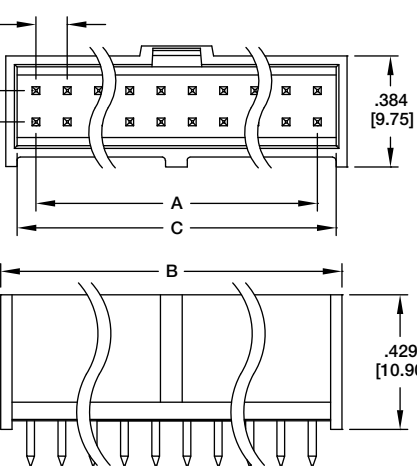
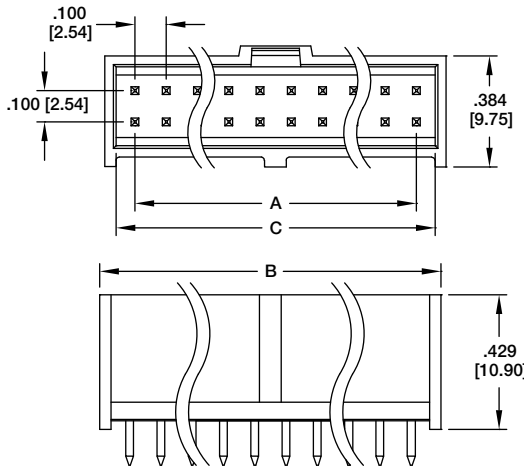

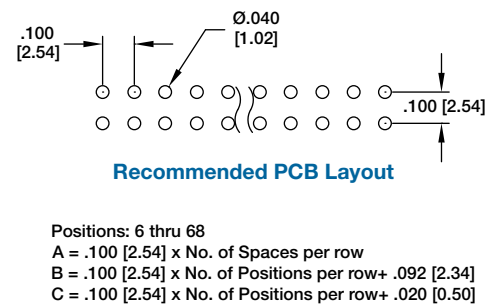

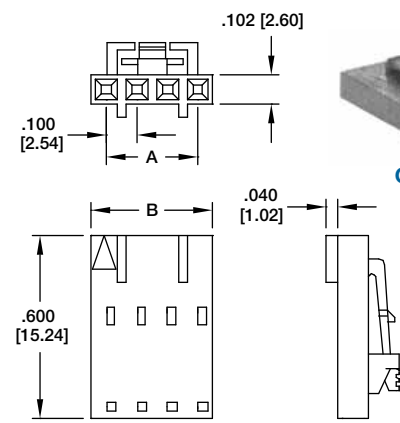

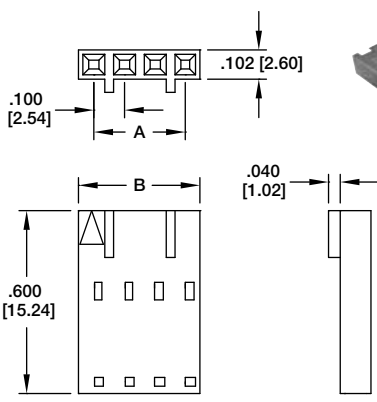
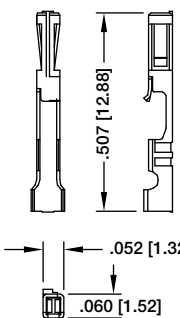
### HOUSING ORDERING INFORMATION

CDH	04
<b>SERIES INDICATOR</b> CDH = Latching Housing CDN = Non Latching Housing	<b>POSITIONS</b> 02 thru 12

### CONTACT ORDERING INFORMATION

CDH-C	R
<b>SERIES INDICATOR</b> CDH-C = Crimp Contact	<b>PACKAGING</b> B = Loose in bag R = Chain on reel



<p><b>CDR-06-TS</b></p>  <p><b>CDR STRAIGHT PCB MOUNT</b></p>  <p>A = .100 [2.54] X No. of SPACES B = .100 [2.54] X No. of SPACES + .200 [5.08]</p>	<p><b>CDR-06-TR</b></p>  <p><b>CDR RIGHT ANGLE PCB MOUNT</b></p>  <p>A = .100 [2.54] X No. of SPACES B = .100 [2.54] X No. of SPACES + .200 [5.08]</p>	
 <p><b>CDR2 DUAL ROW PCB MOUNT</b></p>  <p>Positions: 6 thru 68 A = .100 [2.54] x No. of Spaces per row B = .100 [2.54] x No. of Positions per row+ .092 [2.34] C = .100 [2.54] x No. of Positions per row+ .020 [0.50]</p>	 <p><b>CDR2 DUAL ROW PCB MOUNT</b></p>  <p>Positions: 6 thru 68 A = .100 [2.54] x No. of Spaces per row B = .100 [2.54] x No. of Positions per row+ .092 [2.34] C = .100 [2.54] x No. of Positions per row+ .020 [0.50]</p>	
<p><b>CDH HOUSING</b></p>  <p><b>CDH-04</b></p>  <p>A = .100 [2.54] X No. of SPACES B = .100 [2.54] X No. of POSITIONS</p>	<p><b>CDN HOUSING</b></p>  <p><b>CDN-04-NL</b></p>  <p>A = .100 [2.54] X No. of SPACES B = .100 [2.54] X No. of POSITIONS</p>	<p><b>CDH-C-R CONTACT</b></p>  <p>Recommended wire size 24-28 awg.</p>