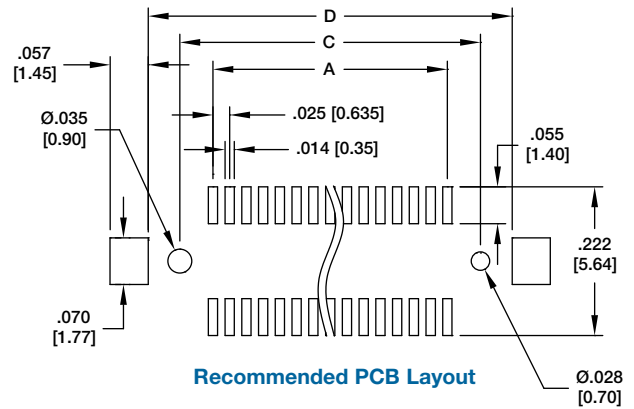
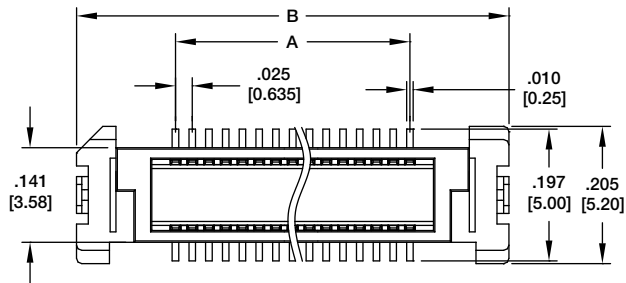


BB635-PE-XX-G-X.XX-T/R

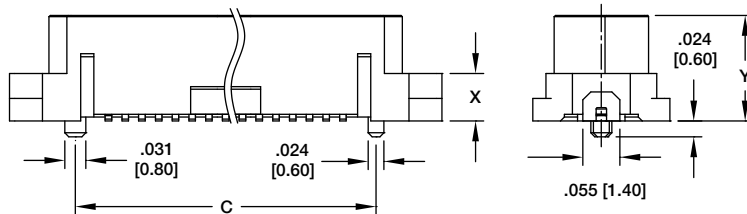
0.635mm MALE



Recommended PCB Layout



BB635-PE-XX-G-X.XX-T/R



ADAM P/N	X	Y
BB635-PE-XX-G-4.00-T/R	.071 [1.80]	.157 [4.00]
BB635-PE-XX-G-5.00-T/R	.138 [3.50]	.197 [5.00]

Replace (XX) in Part No. with No. of Positions

Replace (X.XX) in Part No. with stacking height of 4.00 or 5.00

Options: (-PP) pick/place pad, (-TR) tape and reel packaging

Positions: 20, 30, 40, 50

A = .025 [0.635] x (No. of Contacts per row - 1)

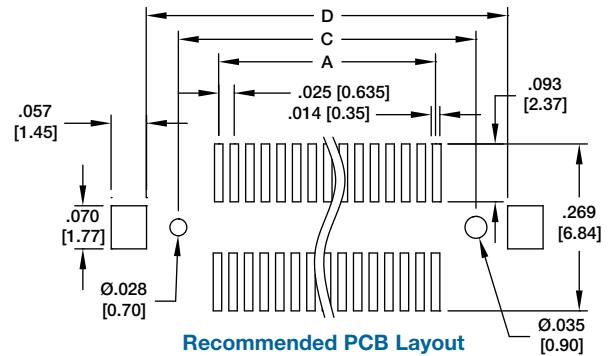
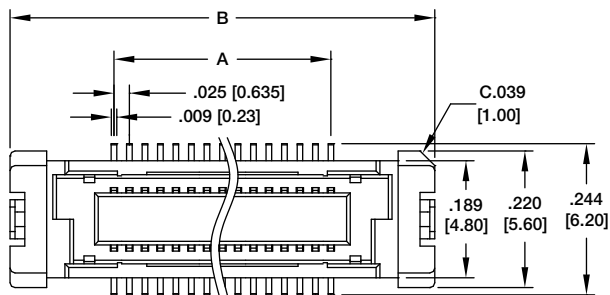
B = .025 [0.635] x (No. of Contacts per row - 1) + .296 [7.51]

C = .025 [0.635] x (No. of Contacts per row - 1) + .099 [2.51]

D = .025 [0.635] x (No. of Contacts per row - 1) + .207 [5.26]

BB635-SE-XX-G-4.0-T/R

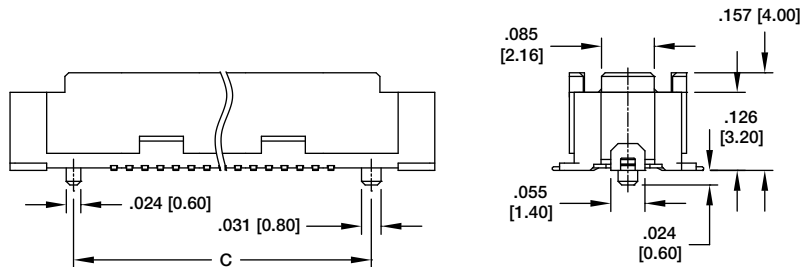
0.635mm FEMALE



Recommended PCB Layout



BB635-SE-20-G-4.0-T/R



PLUG HEIGHT	SOCKET HEIGHT	STACKING HEIGHT
.157 [4.00]	.157 [4.00]	.197 [5.00]
.197 [5.00]	.157 [4.00]	.236 [6.00]

Replace (XX) in Part No. with No. of Positions

Options: (-PP) pick/place pad, (-TR) tape and reel packaging

Positions: 20, 30, 40, 50

A = .025 [0.635] x (No. of Contacts per row - 1)

B = .025 [0.635] x (No. of Contacts per row - 1) + .335 [8.50]

C = .025 [0.635] x (No. of Contacts per row - 1) + .130 [3.31]

D = .025 [0.635] x (No. of Contacts per row - 1) + .233 [5.91]