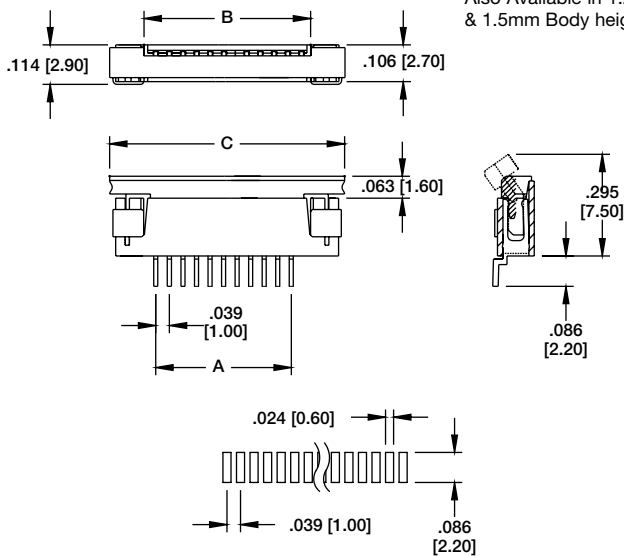


PCA-2
1.00mm (.039")
SIDE ENTRY SMT

A = .039 [1.00] X No. of Spaces
B = A + .090 [2.30]
C = A + .280 [7.10]



PCA-2-10-HU-3
Also Available in 1.2mm
& 1.5mm Body heights



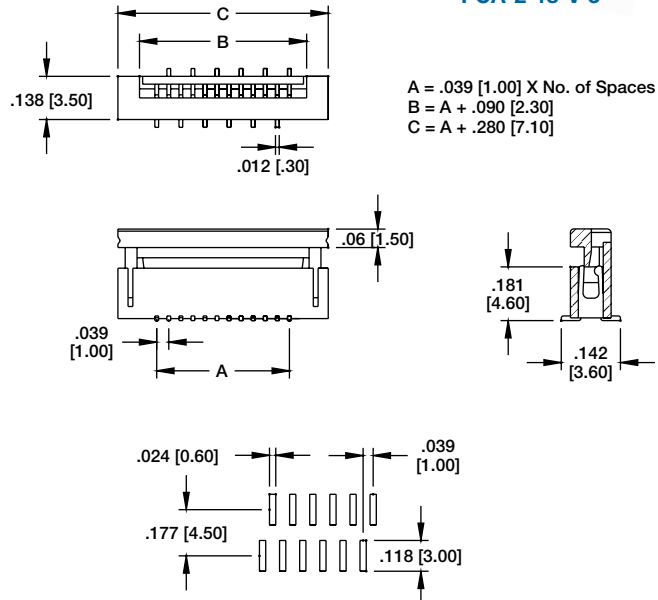
Recommended PCB Layout

PCA-2
1.00mm (.039")
TOP ENTRY SMT



PCA-2-18-V-3

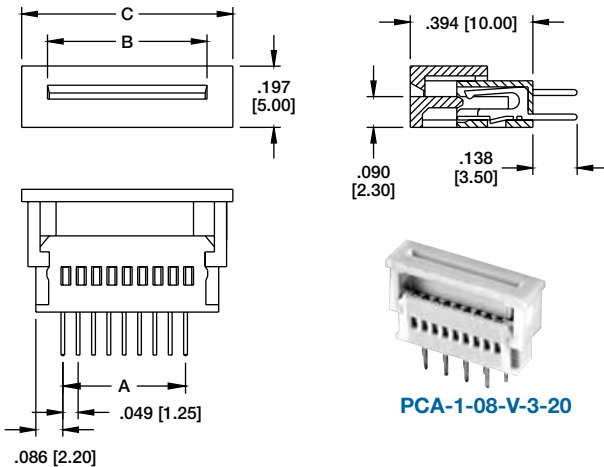
A = .039 [1.00] X No. of Spaces
B = A + .090 [2.30]
C = A + .280 [7.10]



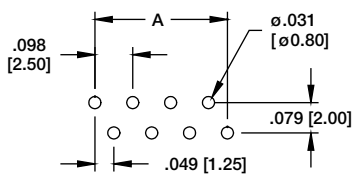
Recommended PCB Layout

PCA-1
1.25mm (.049")
TOP ENTRY THRU HOLE

A = .049 [1.25] X No. of Spaces
B = A + .106 [2.70]
C = A + .303 [7.70]



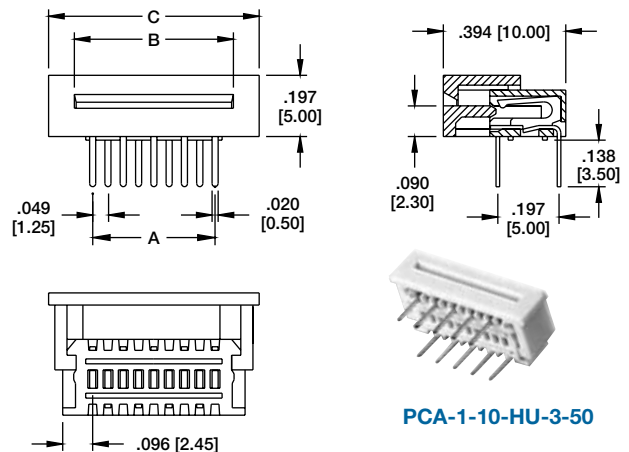
PCA-1-08-V-3-20



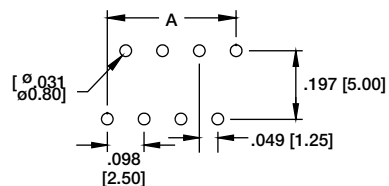
Recommended PCB Layout

PCA-1
1.25mm (.049")
TOP ENTRY THRU HOLE

A = .049 [1.25] X No. of Spaces
B = A + .106 [2.70]
C = A + .303 [7.70]



PCA-1-10-HU-3-50



Recommended PCB Layout