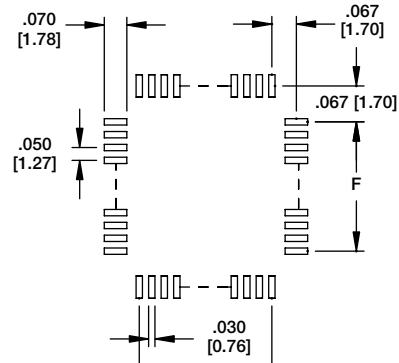


Recommended Solder Pad Layout



POSITIONS	E	F
20	.200 [5.08]	.200 [5.08]
28	.300 [7.62]	.300 [7.62]
32	.300 [7.62]	.400 [10.16]
44	.500 [12.70]	.500 [12.70]
52	.600 [15.24]	.600 [15.24]
68	.800 [20.32]	.800 [20.32]