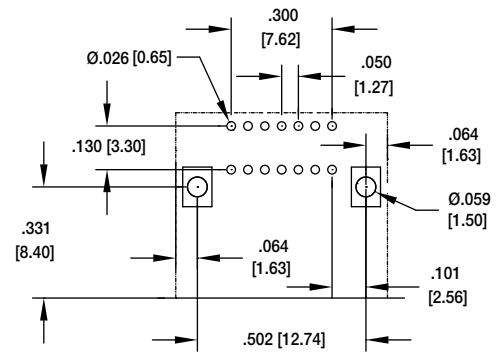
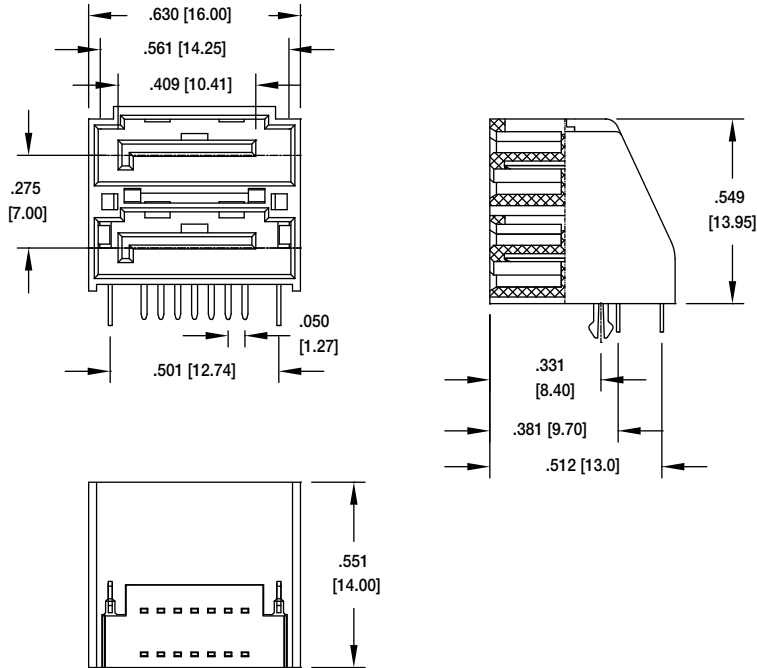


**SATA-D  
DUAL STACKED, SMT**



**SATA-D-PL-RT**

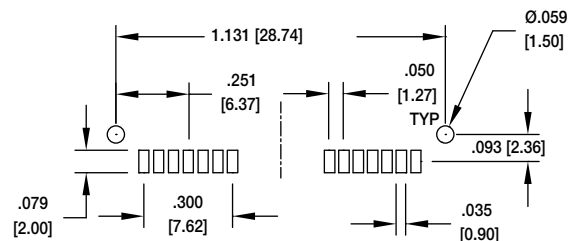
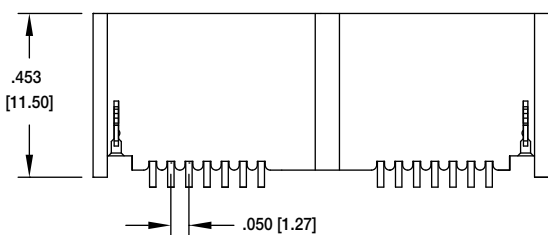
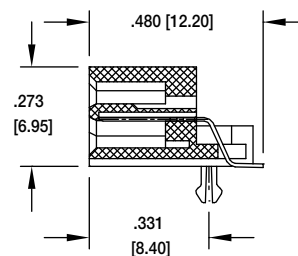
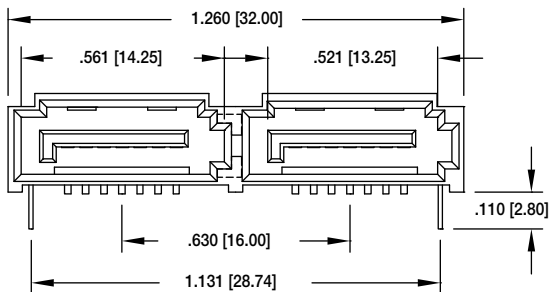


**Recommended PCB Layout**

**SATA-E  
DUAL, SIDE BY SIDE  
THRU-HOLE**



**SATA-E-PR-SMT-K**



**Recommended PCB Layout**