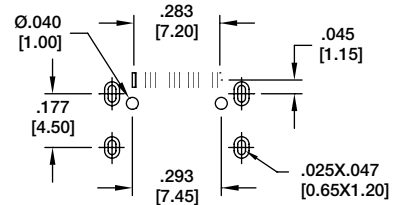
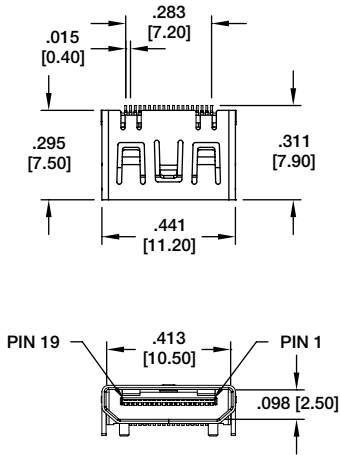


#### MINI HDMI, RIGHT ANGLE, SMT



**MHDMI-S-RA-1-SMT**

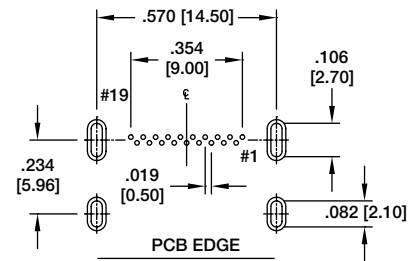
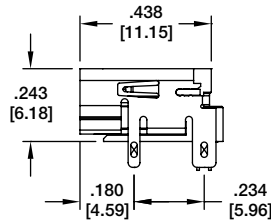
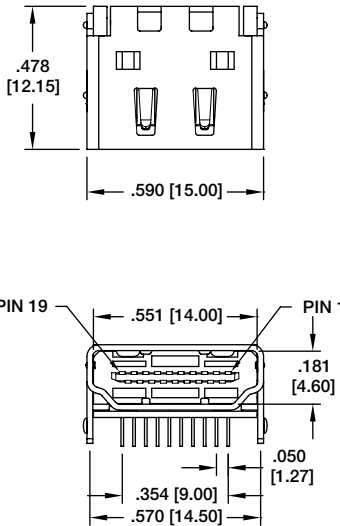


**Recommended PCB Layout**

#### HDMI RIGHT ANGLE THRU-HOLE



**HDMI-S-RA-1**



**Recommended PCB Layout**