

### INTRODUCTION

Adam Tech's High Definition Multimedia Interface (HDMI) connectors and cable assemblies are a series of products that provide an uncompressed digital link between video and audio in a single digital interface connection. Typically they are used with digital versatile disc (DVD) players, digital television (DVI) players, set-top boxes and other audiovisual devices to consolidate interfaces and eliminate multiple cable assemblies. Adam Tech's HDMI Series are small, easy to use interconnects that can carry up to 5 Gbps of combined video and audio in a single connector/cable.

### FEATURES:

- Sturdy, industry compatible design
- Eliminates multiple connectors and cables
- Up to 5 Gbps in single interface
- Variety of mounting styles
- Fully shielded for ESD protection
- Compact 0.50mm (.019") pitch SMT design

### MATING CONNECTORS:

All industry standard HDMI connectors.

### SPECIFICATIONS:

#### Material:

Insulator: Hi-Temperature thermoplastic, glass filled, rated UL94V-0  
Insulator Color: Black  
Shell: Phosphor Bronze, Nickel plated  
Contacts: Phosphor Bronze

#### Plating:

Gold over nickel underplate on mating area, tin over copper underplate on tails

#### Electrical:

Operating Voltage: 30V AC  
Current Rating: 0.5 Amps Max.  
Contact Resistance: 10 mΩ Max.  
Insulation Resistance: 100 MΩ Min.  
Dielectric Withstanding Voltage: 300V AC for 1 Minute

#### Mechanical:

Insertion force: 10.0 lbs max.  
Withdrawal force: 2.2 lbs min.

#### Temperature Rating:

Operation Temperature: -55°C ~ +85°C

#### PACKAGING:

Anti ESD plastic trays or Tubes

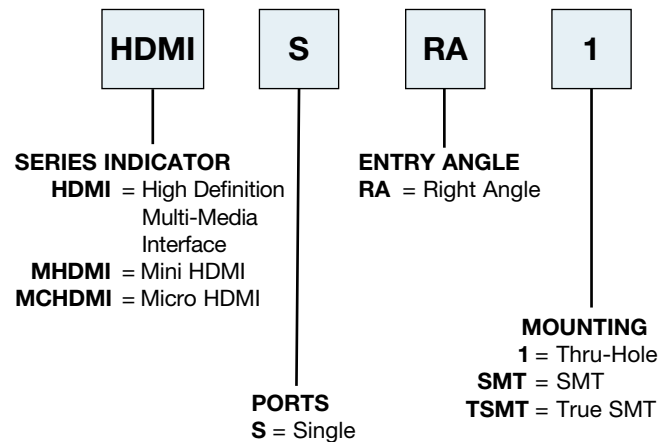
#### APPROVALS AND CERTIFICATIONS:

UL Recognized & CSA Certified, File no. E224053



### ORDERING INFORMATION

#### HDMI CONNECTOR

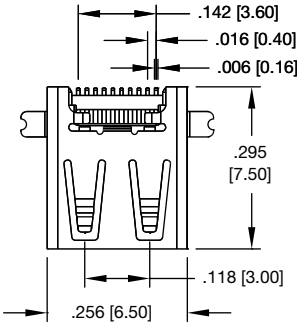


#### OPTIONS:

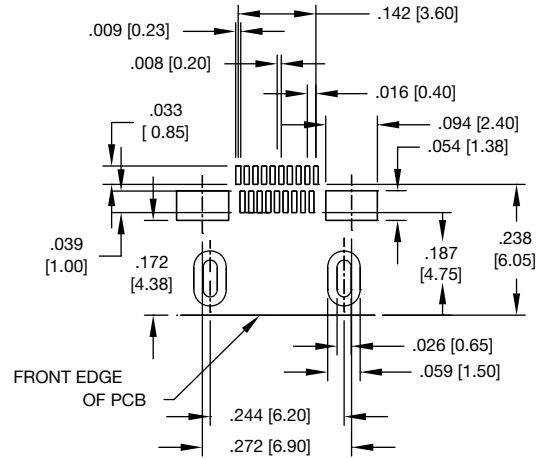
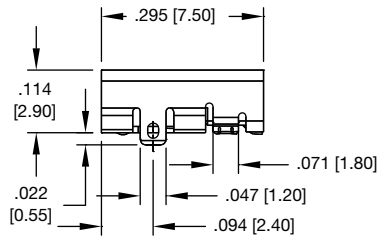
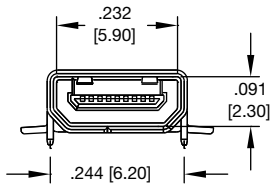
Add designator(s) to end of part number  
**15** = 15 μin gold plating in contact area  
**MF** = Mounting Flange  
**R** = Reverse Layout



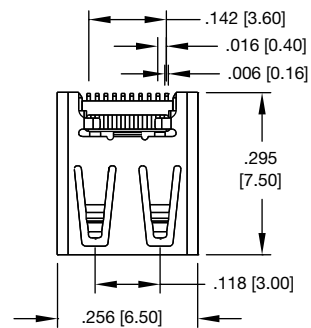
## MICRO HDMI, RIGHT ANGLE, SMT



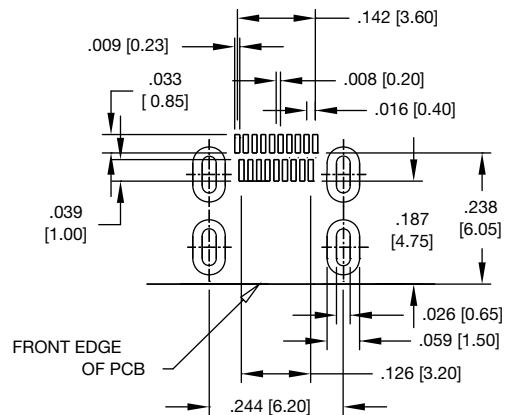
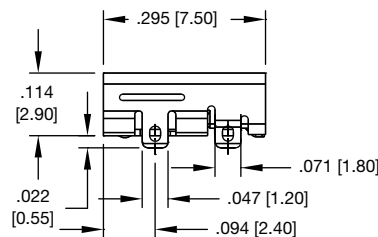
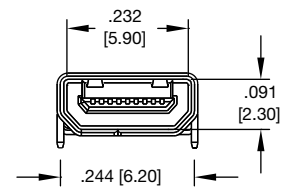
**MCHDMI-S-RA-1-SMT**



## MICRO HDMI, RIGHT ANGLE, SMT



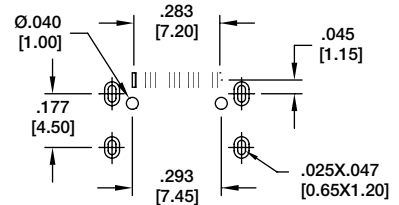
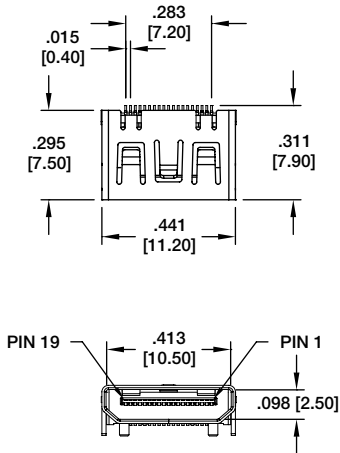
**MCHDMI-S-RA-2-SMT**



### MINI HDMI, RIGHT ANGLE, SMT



**MHDMI-S-RA-1-SMT**

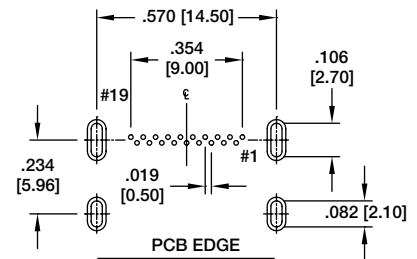
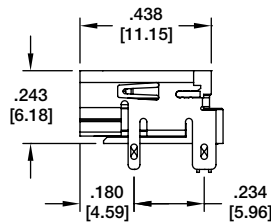
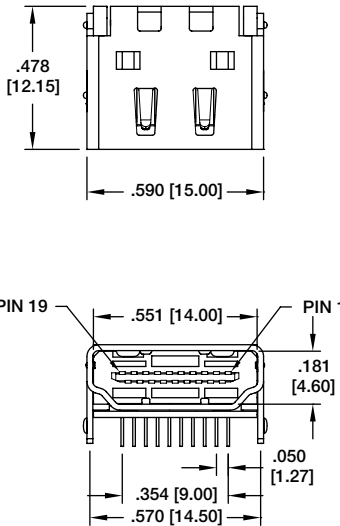


**Recommended PCB Layout**

### HDMI RIGHT ANGLE THRU-HOLE

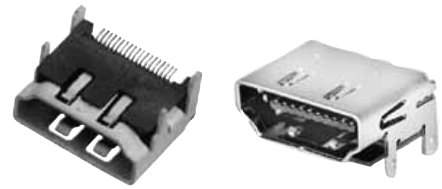
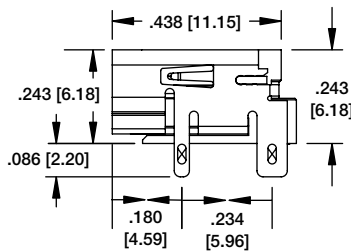
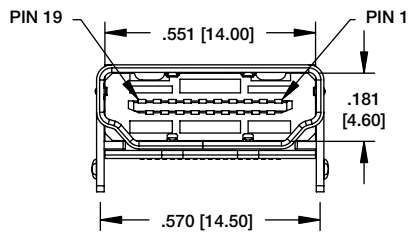
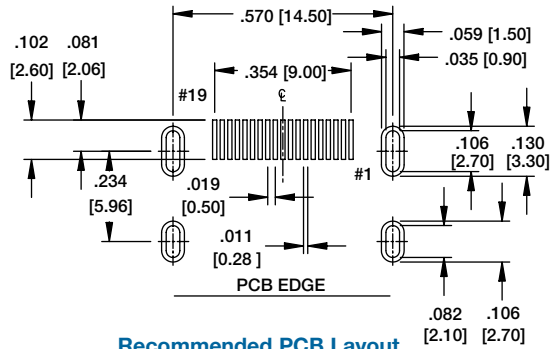
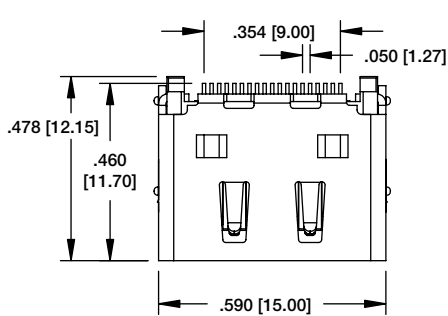


**HDMI-S-RA-1**



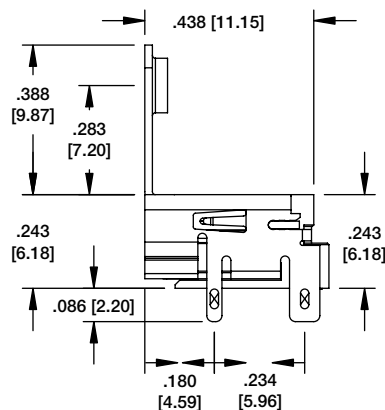
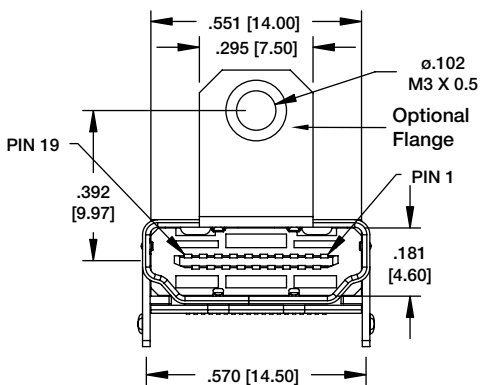
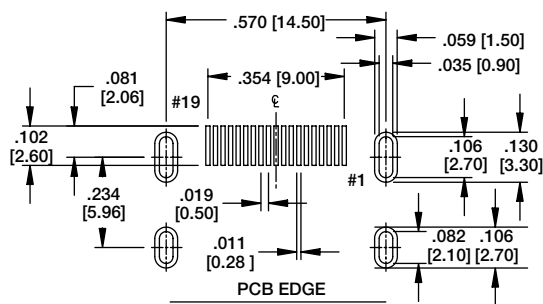
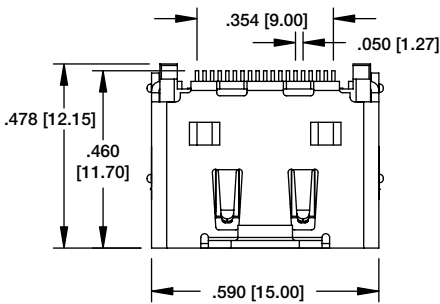
**Recommended PCB Layout**

## RIGHT ANGLE SMT



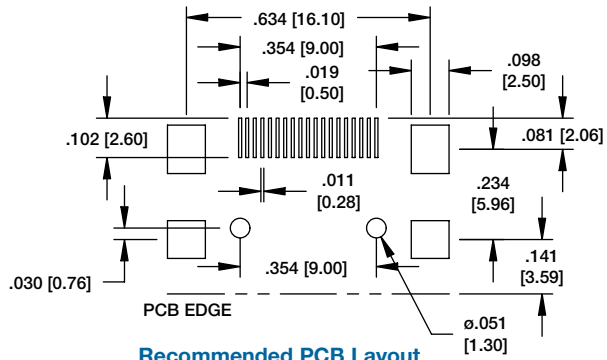
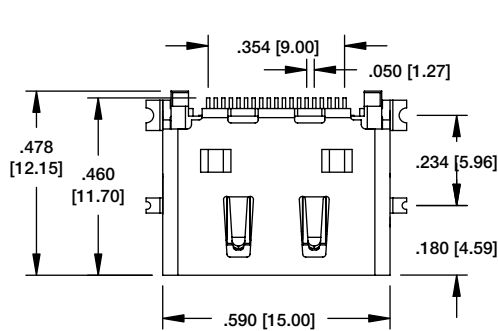
**HDMI-S-RA-SMT**

## RIGHT ANGLE SMT WITH MOUNTING FLANGE

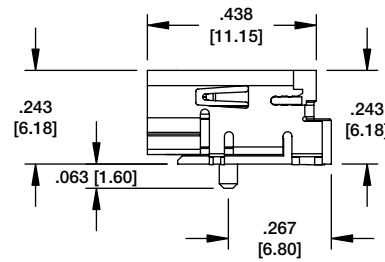
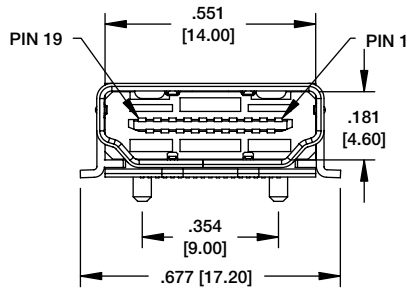


**HDMI-S-RA-SMT-MF**

#### RIGHT ANGLE TRUE SMT

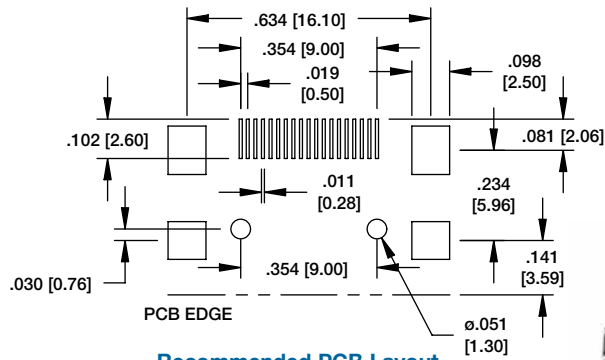
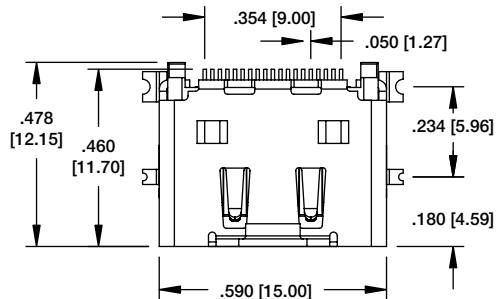


Recommended PCB Layout

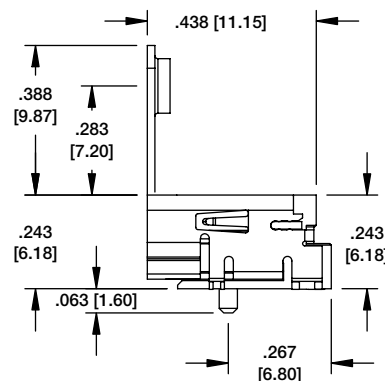
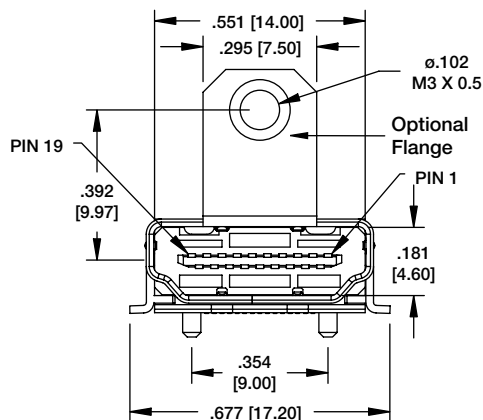


HDMI-S-RA-TSMT

#### RIGHT ANGLE TRUE SMT WITH MOUNTING FLANGE



Recommended PCB Layout



HDMI-S-RA-TSMT-MF