

INTRODUCTION:

Adam Tech DisplayPort series is a new high band width digital interface connection designed to provide true digital imaging while providing a multitude of colors and crystal clear sound through one small plug which can also supply power. There are 4 main links, one auxiliary channel and one hot-plug signal line. Adam Tech DisplayPort connectors are designed to work on a broad array of devices, including computers, televisions, camcorders, cameras and DVD players. Our DisplayPort connectors are fully compatible with industry standards and are backwards compatible to VGA, DVI & HDMI.

FEATURES:

Ultra small size package
Hot Pluggable
Supports color depth of 6, 8, 10, 12 and 16 bits per color components
Supports a maximum of 8.64 Gbit/s data rate over a 2 meter cable
Can be used in applications up to 15 meters (49.21 feet)

MATING CONNECTORS:

Adam Tech Display Port custom cables and all industry standard Display Port Cables

SPECIFICATIONS:

Material:

Insulator: LCP, Glass filled, rated UL94V-0, color Black
Contacts: Copper Alloy
Shell: Copper Alloy, nickel plated

Contact Plating:

Gold over nickel underplate on mating area, Tin over Copper underplate on tails

Electrical:

Operating Voltage: 40V AC
Current Rating: 0.5 Amps max.
Contact Resistance: 30 mΩ max.
Insulation Resistance: 100 MΩ min.
Dielectric Withstanding Voltage: 500V AC for 1 minute

Mechanical:

Mating Cycles: 10,000 Cycles Min

Temperature Ratings:

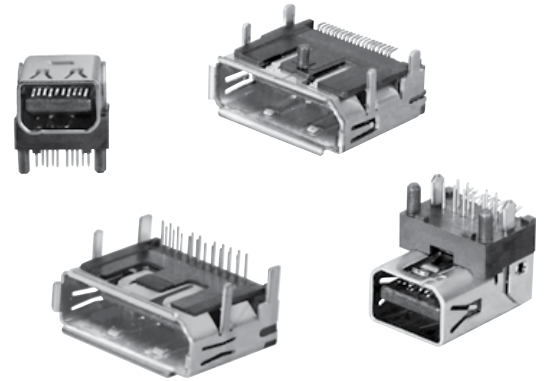
Operating Temperature: -20°C to +85°C

PACKAGING:

Anti-ESD plastic trays or tubes

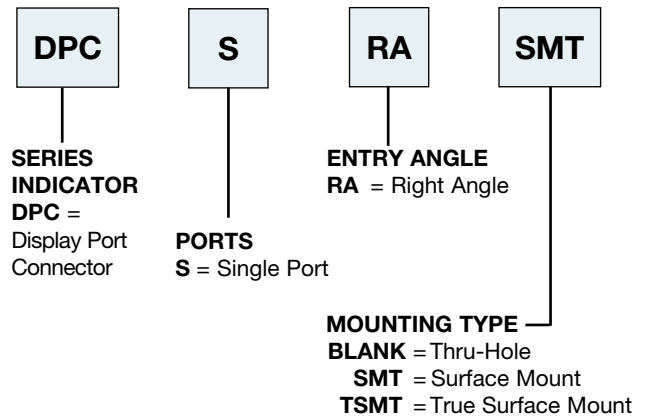
APPROVALS AND CERTIFICATIONS:

UL Recognized & CSA Certified, File no. E224053

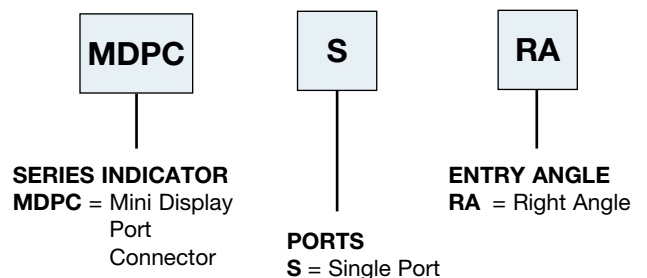


ORDERING INFORMATION

DISPLAY PORT CONNECTOR



MINI DISPLAY PORT CONNECTOR



OPTIONS:

Add designator(s) to end of part number
MF = Mounting Flange (DPC series only)