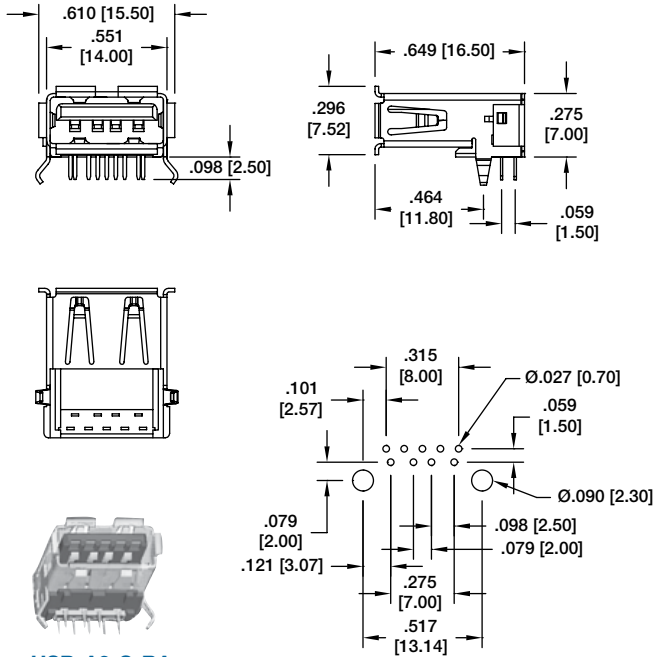


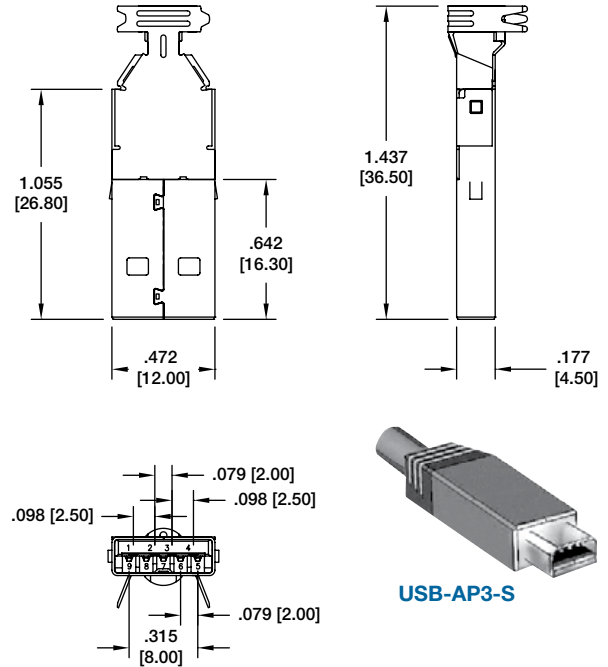
USB 3.0, TYPE A RIGHT ANGLE THRU-HOLE



USB-A3-S-RA

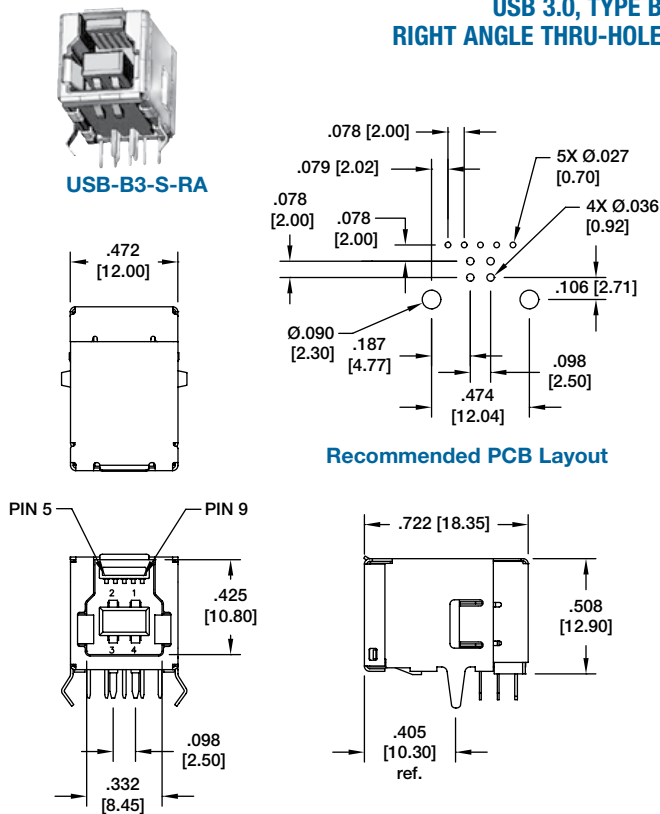
Recommended PCB Layout

USB 3.0, TYPE A PLUG



USB-AP3-S

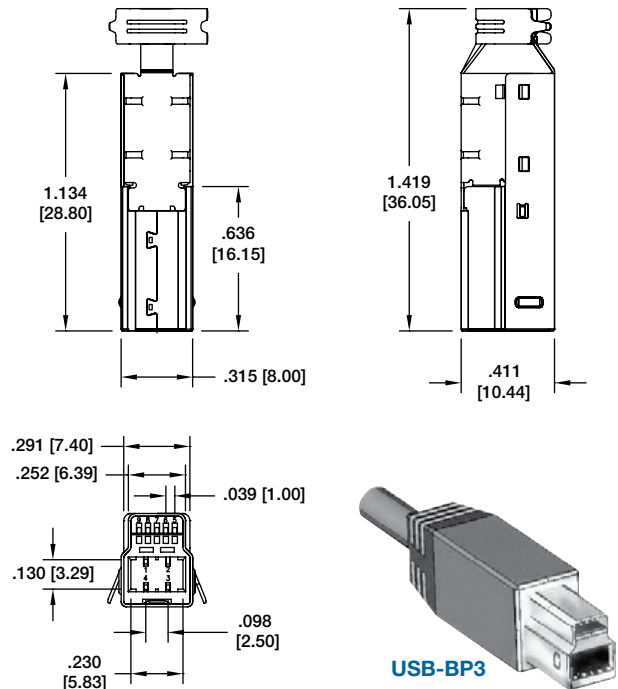
USB 3.0, TYPE B RIGHT ANGLE THRU-HOLE



USB-B3-S-RA

Recommended PCB Layout

USB 3.0, TYPE B PLUG



USB-BP3