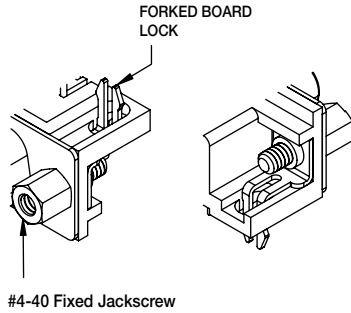


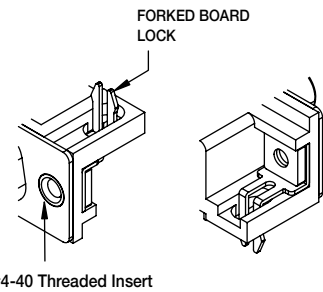
MATING FACE & PCB MOUNTING OPTIONS

OPTION 23



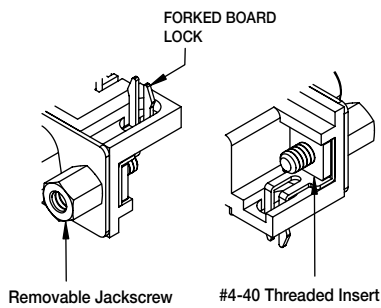
* Standard Stocked Item

OPTION 24



* Standard Stocked Item

OPTION 25



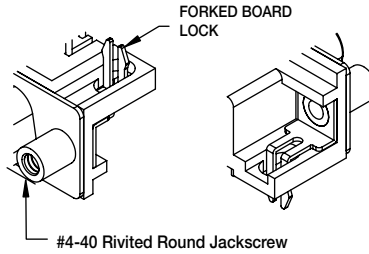
* Standard Stocked Item

OPTION 23-R

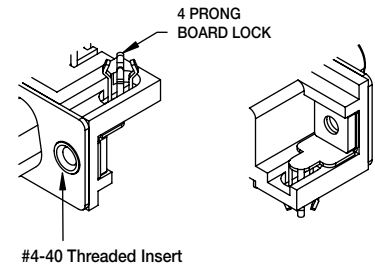
#4-40 Rivited Round Jackscrew (Shown)

OPTION 27

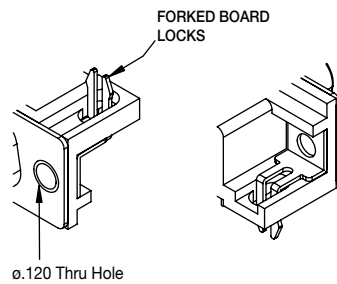
#4-40 Rivited Hex Jackscrew (Not Shown)



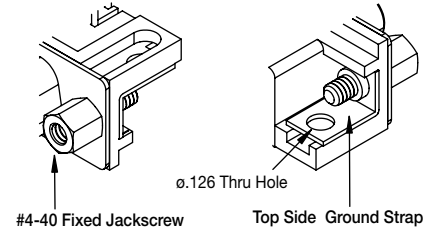
OPTION 24-F



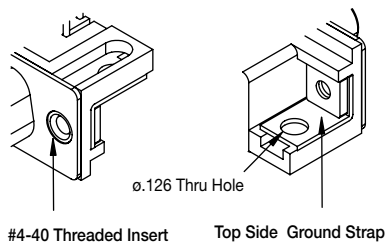
OPTION 26



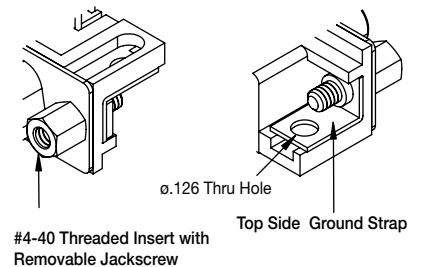
OPTION 33



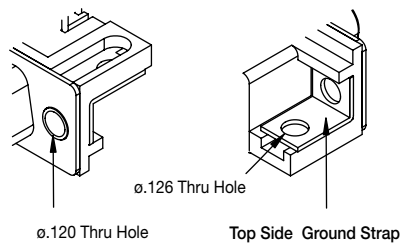
OPTION 34



OPTION 35



OPTION 36



OPTION 43

