

TYPE AR
LED JACK .531" HEIGHT
TOP TAB & TOP LEDs, THRU HOLE
8P8C

MTJ-88ARX1-FS-LG
 Also available with panel ground tabs

TYPE AA
LED JACK BOTTOM TAB &
BOTTOM LEDs THRU HOLE
8P8C

MTJ-88AAX1-FS-LG

TYPE D
TOP ENTRY LED JACK .610" HEIGHT WITH LEDs, NON-SHIELDED
8P8C

MTJ-88DX1-LG

Add suffix to end of P/N:

LED CONFIGURATION		
SUFFIX	LED 1	LED 2
LA	YELLOW	YELLOW
LD	GREEN	GREEN

See pg. 43 for additional LED options

Recommended PCB Layout

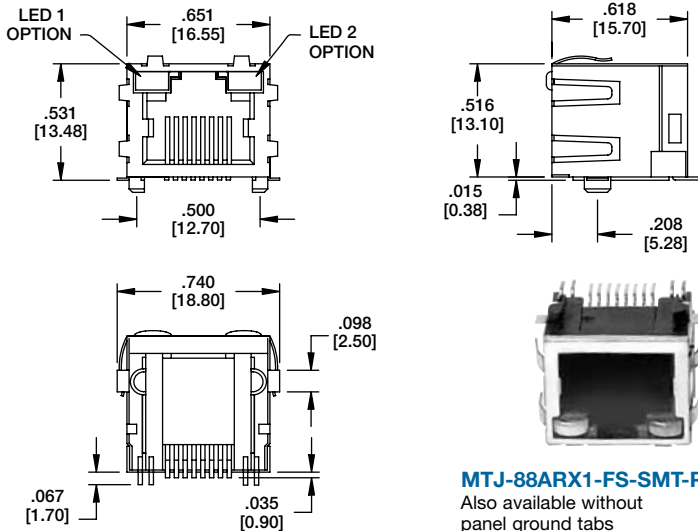
JACKS WITH LEDs ORDERING INFORMATION

MTJ	8	8	AR	2	1	LD
SERIES INDICATOR MTJ = Modular telephone jack	HOUSING PLUG SIZE 8 or 10	NO. OF CONTACT POSITIONS FILLED 6, 8 or 10	HOUSING TYPE AR, AA, D, G	PLATING X = Gold Flash 0 = 15 μin gold 1 = 30 μin gold 2 = 50 μin gold	BODY COLOR 1 = Black 2 = Gray	LED CONFIGURATION See Chart above Leave blank for no LEDs

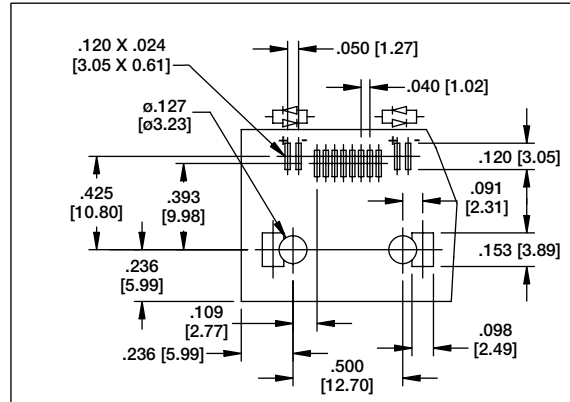
OPTIONS:
SMT = Surface mount tails with Hi-Temp insulator
PG = Panel Ground Tabs
LX = LEDs, use LA, LD, LG, LH, LI, see LED Configuration Chart

Ordering Information pg. 29

**TYPE AR
WITH SMT OPTION
8P8C**



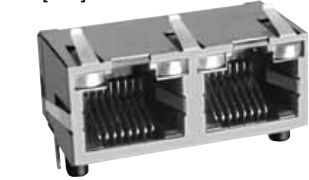
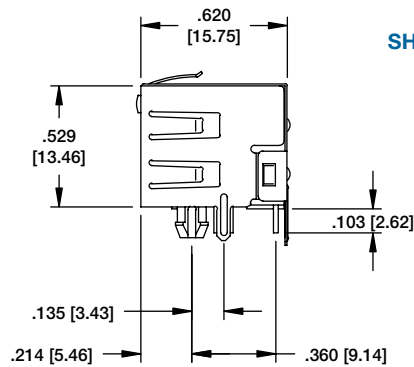
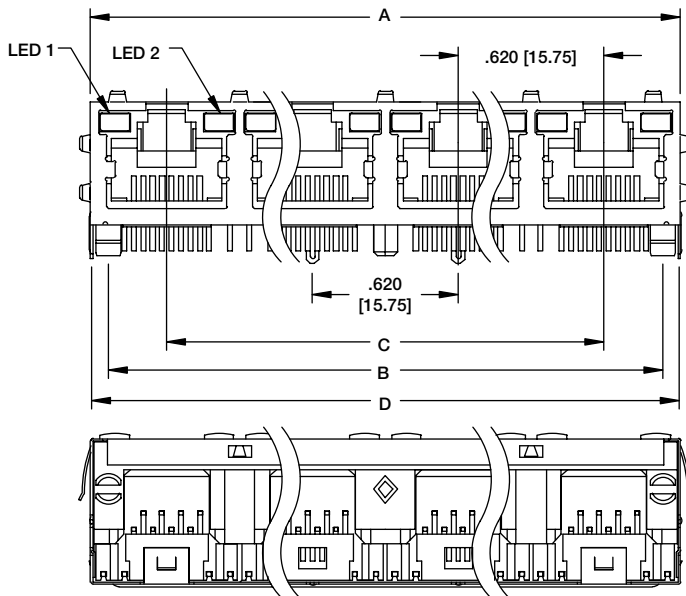
MTJ-88ARX1-FS-SMT-PG-LG
Also available without panel ground tabs



Recommended PCB Layout

Ordering Information pg. 34

**TYPE AR
GANGED WITH METAL
SHIELD, PANEL GROUND
TABS AND
LED OPTION
8P8C**



MTJG-4-88ARX1-FSM-PG-LG

Shown with metal shield, panel ground tabs and LED options

Add suffix to end of P/N:

LED CONFIGURATION		
SUFFIX	LED 1	LED 2
LA	YELLOW	YELLOW
LD	GREEN	GREEN

2, 4 & 8 Ports available

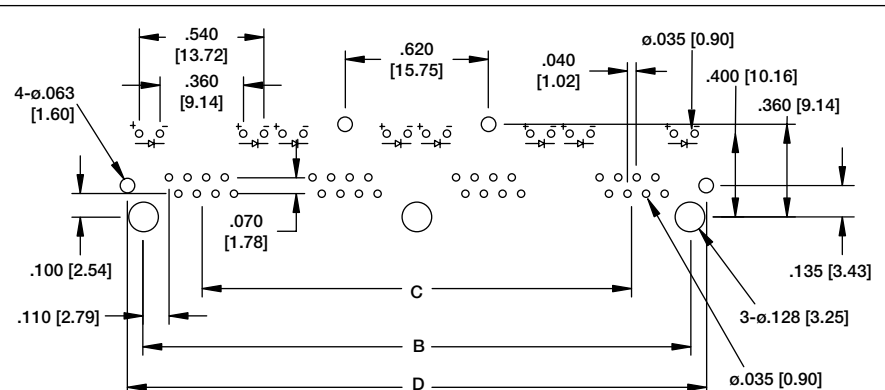
See pg. 43 for additional LED options

A = $.620 [15.75] \times \text{No. of Ports} + .029 [0.75]$

B = $.620 [15.75] \times \text{No. of Ports} - 1 + .500 [12.70]$

C = $.620 [15.75] \times \text{No. of Ports} - 1$

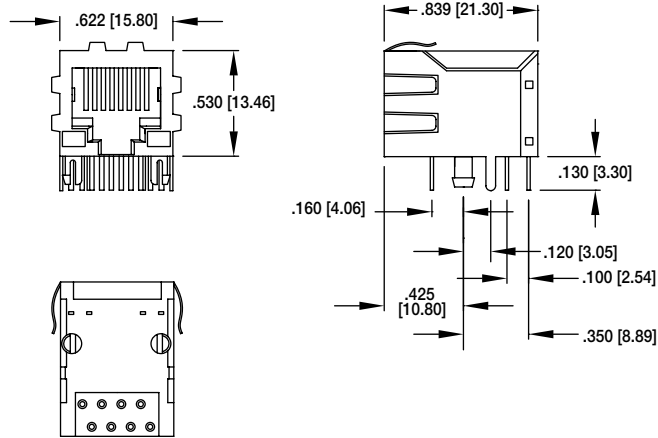
D = $.620 [15.75] \times \text{No. of Ports} + .019 [0.50]$



Recommended PCB Layout

Ordering Information pg. 29

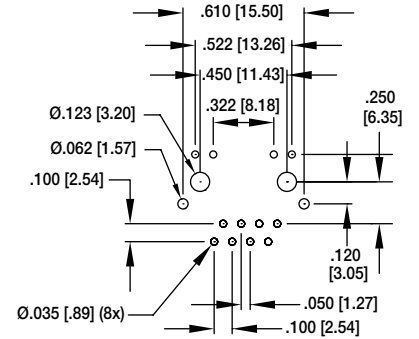
TYPE G WITH LEDs



MTJ-88GX1-FSD-LH

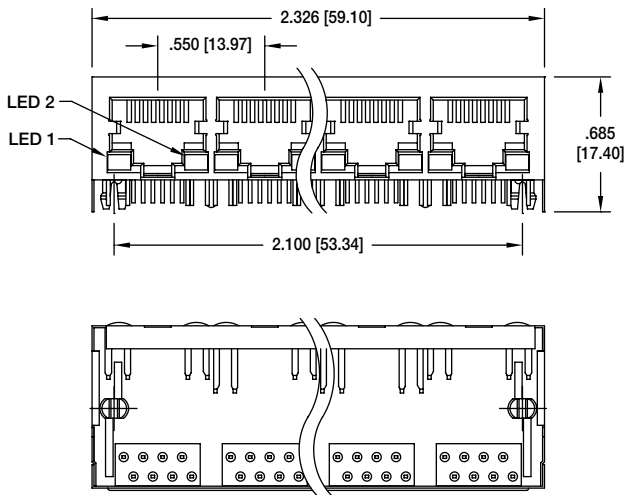


MTJ-88GX1-FSD-LH-PG

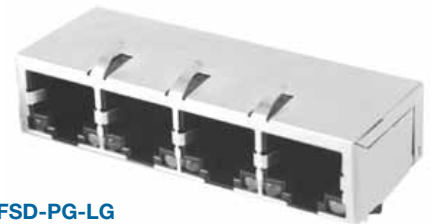
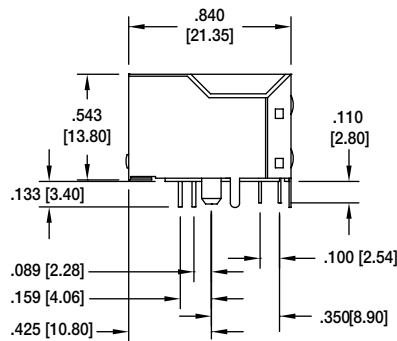


Recommended PCB Layout

TYPE G GANGED WITH LEDs



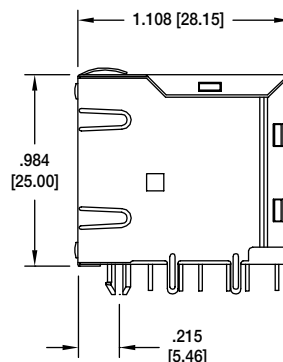
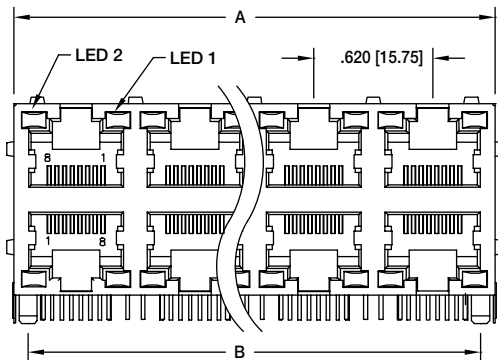
2, 4 & 6 PORTS AVAILABLE



MTJG-4-88GX1-FSD-PG-LG

Ordering Information pg. 34

TYPE J STACKED WITH LEDs



PART NUMBER	PORTS	DIMENSIONS	
		A	B
MTJG-2-88JX1-FSM-LXX	2 X 1	.650 [16.51]	.500 [12.70]
MTJG-4-88JX1-FSM-LXX	2 X 2	1.265 [32.15]	1.120 [28.45]
MTJG-8-88JX1-FSM-LXX	2 X 4	2.50 [63.65]	2.360 [59.95]
MTJG-12-88JX1-FSM-LXX	2 X 6	3.74 [95.15]	3.600 [91.45]

See pg. 43 for additional LED options