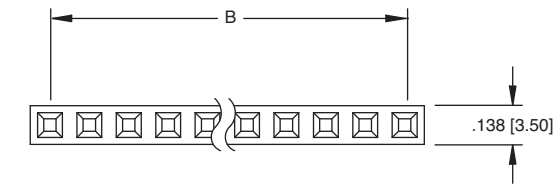
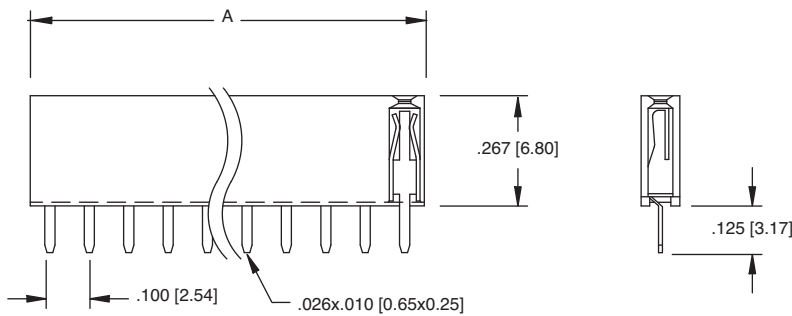


Ordering Information pg. 307

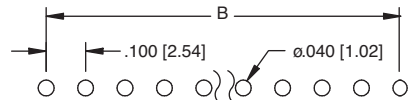
RS1B



RS1B-10-SG

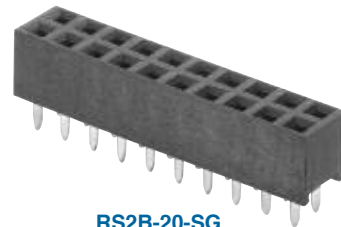
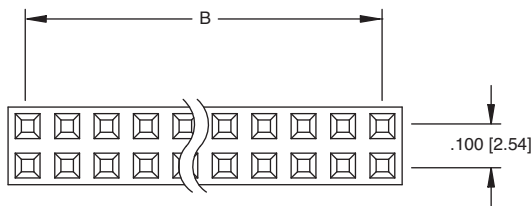


A = .100 [2.54] X No. of Positions  
B = .100 [2.54] X No. of Spaces

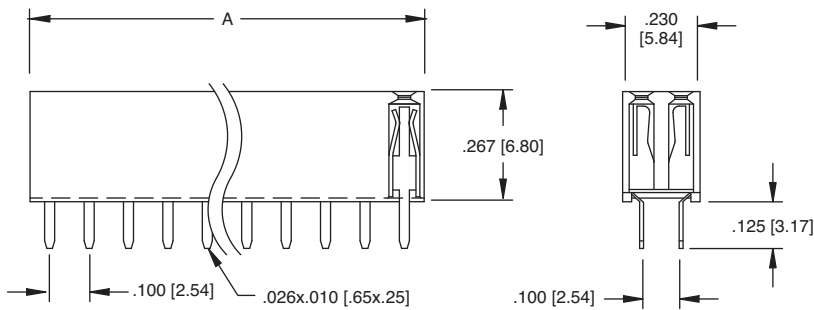


Recommended PCB Layout

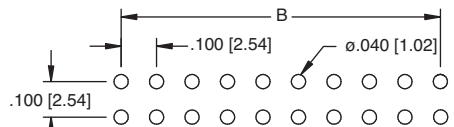
RS2B



RS2B-20-SG



A = .100 [2.54] X No. of Positions per row  
B = .100 [2.54] X No. of Spaces



Recommended PCB Layout