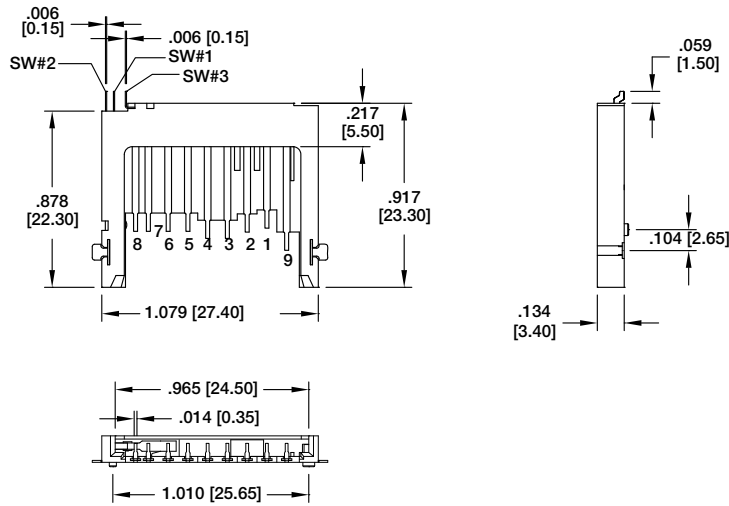
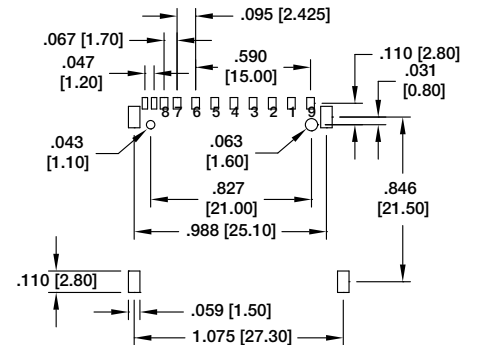
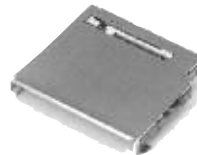
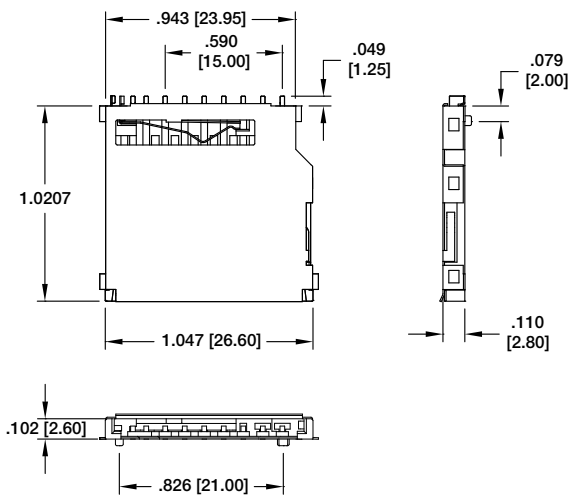


**SECURE DIGITAL
SD-09-B-SG**

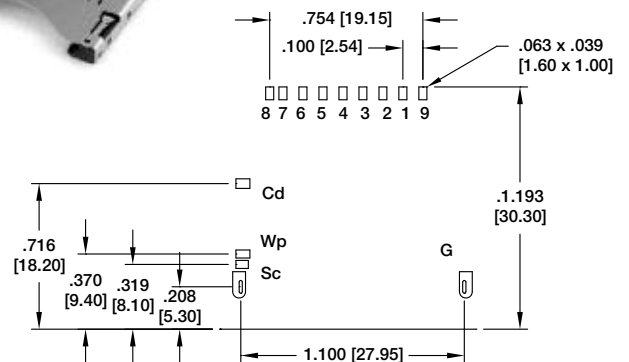
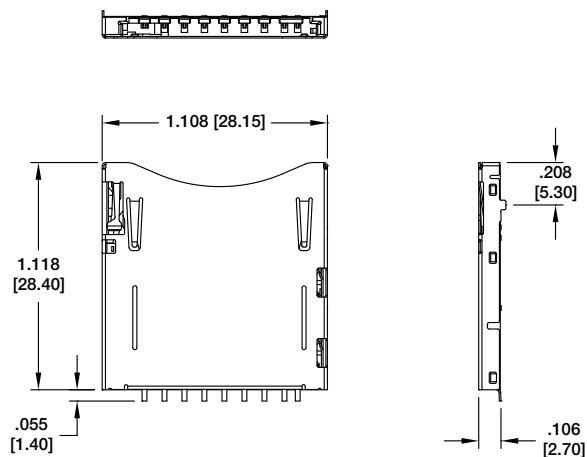


**SECURE DIGITAL
METAL COVER
SDM-09-A-SG-0**



Recommended PCB Layout

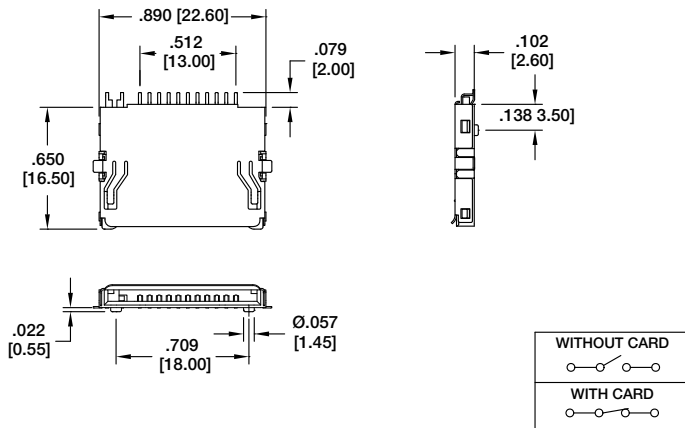
**SECURE DIGITAL
PUSH IN / PUSH OUT
SDP-09C-SG**



Recommended PCB Layout

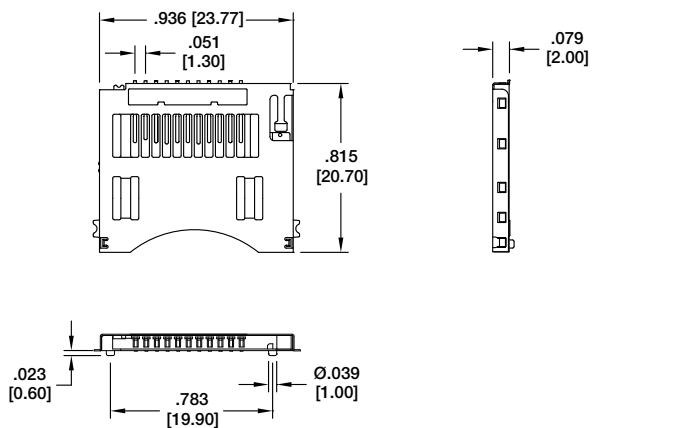
MINI SECURE DIGITAL

MSD-11-B-SG (STANDARD TYPE)



MINI SECURE DIGITAL (PUSH - PUSH TYPE)

MSDPR-11-B-SG (REVERSE TYPE)



MICRO SECURE DIGITAL (PUSH - PUSH TYPE)

MCSP-08-C-SG

