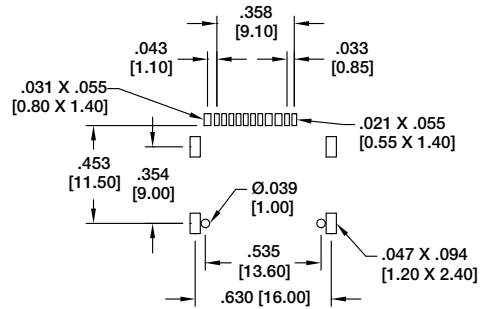
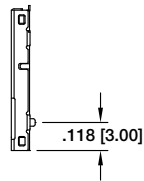
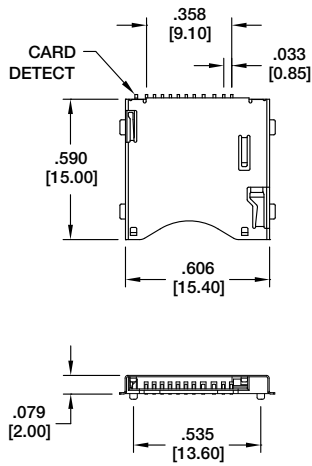


MICRO MEMORY STICK

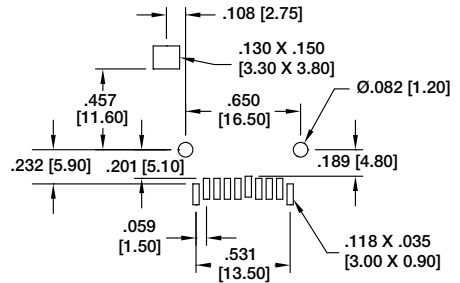
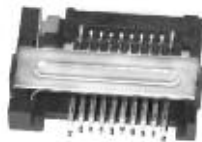
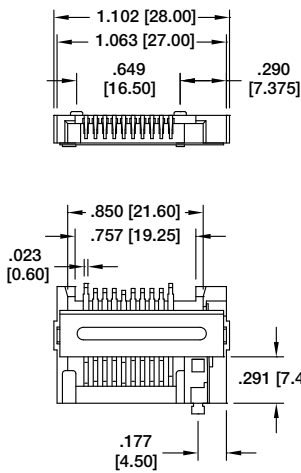
MMSP-11-A-SG



Recommended PCB Layout

MEMORY STICK

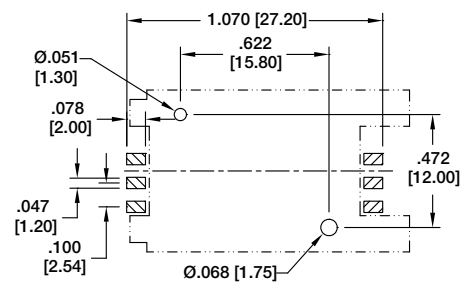
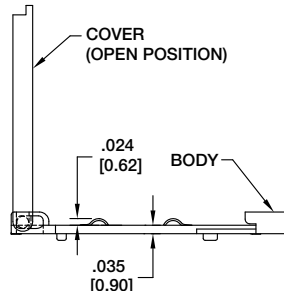
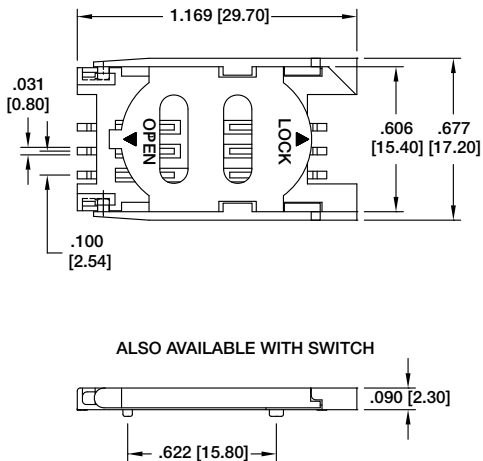
MS-10-A-SG (NORMAL TYPE)



Recommended PCB Layout

SIM CARD SOCKET

SCC-06-SG-HC



Recommended PCB Layout