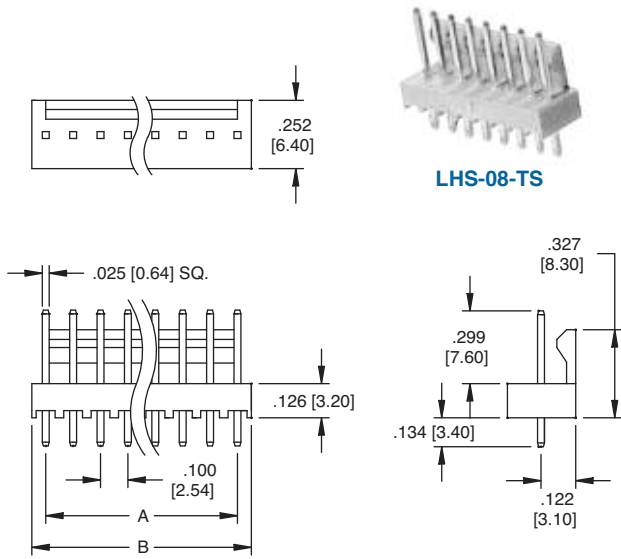


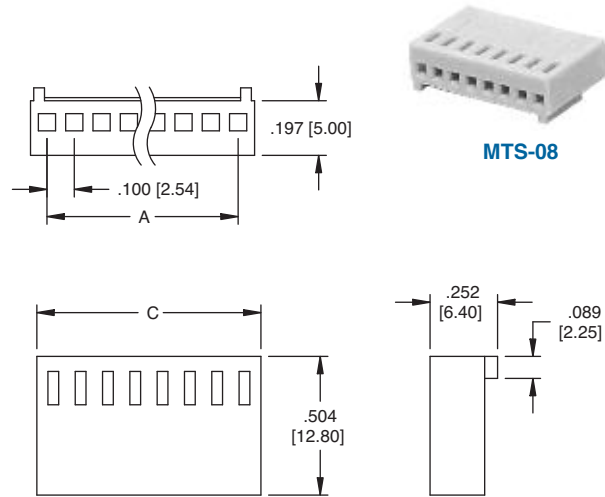
LHS STRAIGHT PCB MOUNT



LHS-08-TS

A = .100 [2.54] x No. of Spaces
B = .100 [2.54] X No. of Spaces + .104 [2.65]

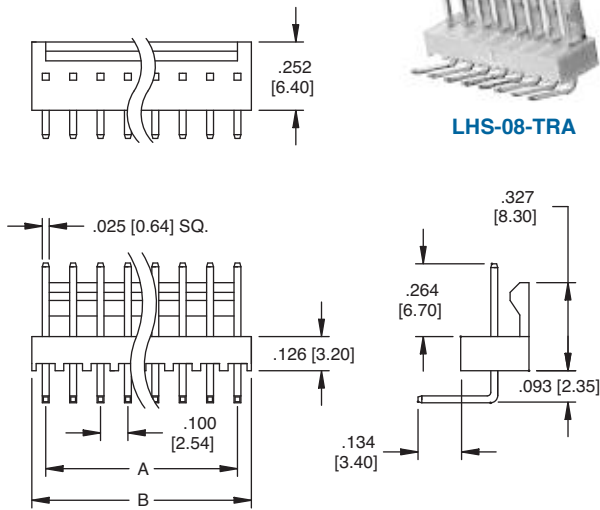
MTS HOUSING



MTS-08

A = .100 [2.54] x No. of Spaces
B = .100 [2.54] X No. of Spaces + .104 [2.65]

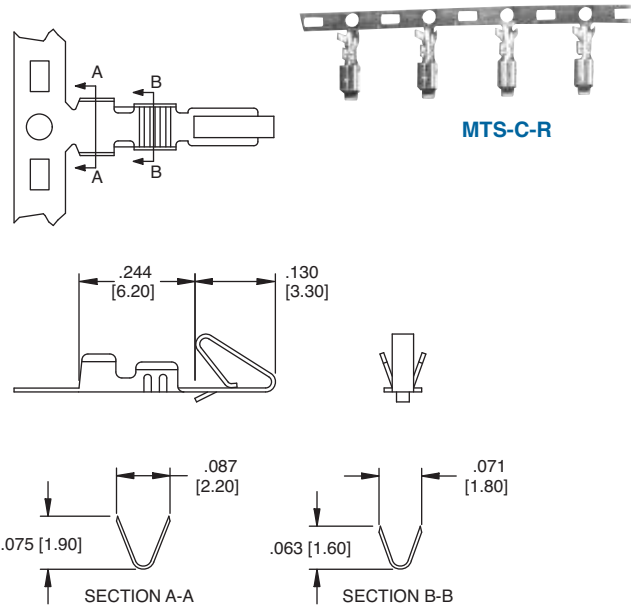
LHS RIGHT ANGLE PCB MOUNT



LHS-08-TRA

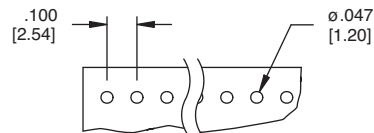
A = .100 [2.54] x No. of Spaces
B = .100 [2.54] X No. of Spaces + .104 [2.65]

MTS-C CRIMP CONTACTS



MTS-C-R

A = .100 [2.54] x No. of Spaces
B = .100 [2.54] X No. of Spaces + .104 [2.65]



Recommended PCB Layout