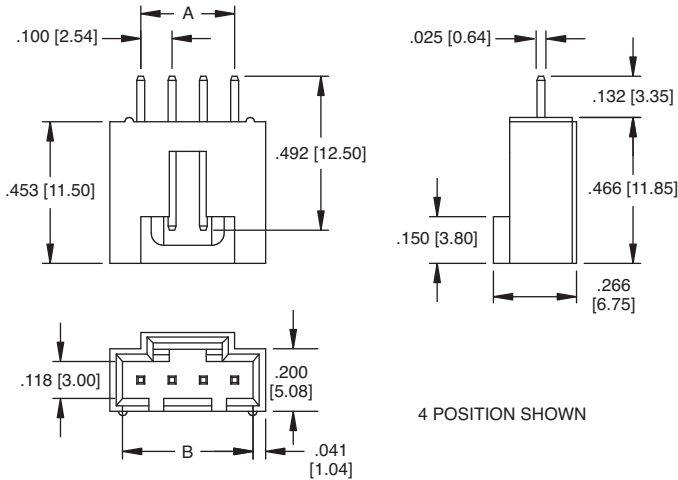
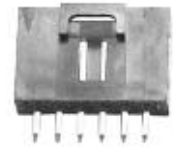


**CDR  
STRAIGHT PCB MOUNT**

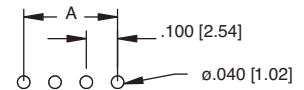


4 POSITION SHOWN

A = .100 [2.54] X No. of SPACES  
B = .100 [2.54] X No. of SPACES + .200 [5.08]

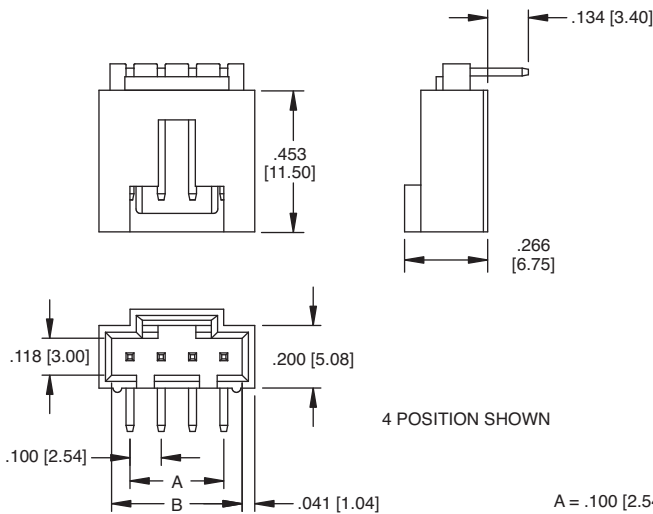


**CDR-06-TS**



**Recommended PCB Layout**

**CDR  
RIGHT ANGLE PCB MOUNT**

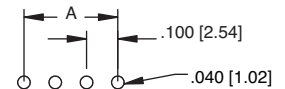


4 POSITION SHOWN

A = .100 [2.54] X No. of SPACES  
B = .100 [2.54] X No. of SPACES + .200 [5.08]

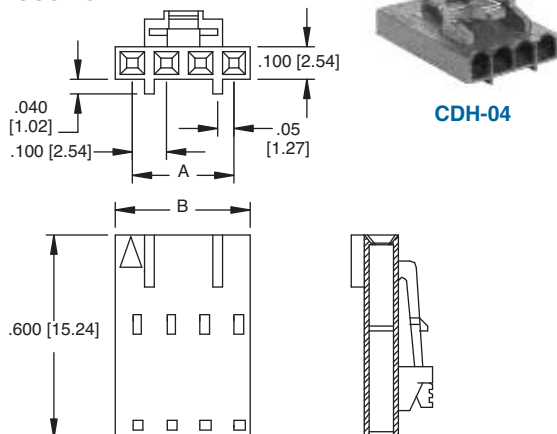


**CDR-06-TR**



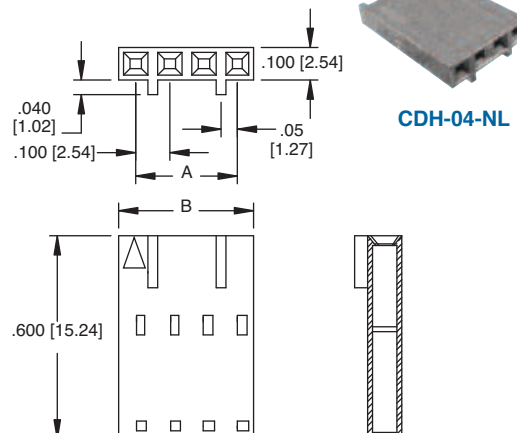
**Recommended PCB Layout**

**CDH  
HOUSING**



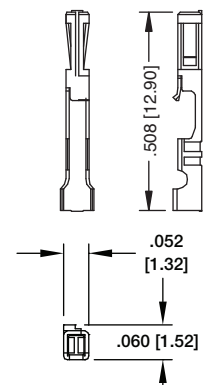
**CDH-04**

**CDH  
HOUSING**



**CDH-04-NL**

**CDH-C-R  
CONTACT**



**Recommended  
wire size 24-28 awg.**