

.100" LATCHING HEADER & HOUSING

.100" [2.54] STRAIGHT
& RIGHT ANGLE
CDR SERIES

INTRODUCTION:

Adam Tech CDR series latching header & housing set was designed to attach wires to a PCB. This series features a latching housing which mates to a polarized, locking header. This set provides a secure, easy to mate connection with superior electrical characteristics.

FEATURES:

Secure, latching header housing set
Precision .025" sq. posts
Latching housing
Polarized anti-vibration design
Available in 2 - 12 positions

MATING CONNECTORS:

All industry standard .100 centerline compatible latching headers and housings

SPECIFICATIONS:

Material:

Insulator: Nylon 66, rated UL94V-0
Insulator Color: Black (White optional)
Contacts: Phosphor bronze

Contact Plating:

Tin over copper underplate overall

Electrical:

Operating voltage: 250V AC max.
Current rating: 3 Amps max.
Insulation resistance: 1000 MΩ min.
Dielectric withstanding voltage: 500V AC for 1 minute

Mechanical:

Recommended wire size: 22 to 28 Awg with .059"
O.D. insulation max.

Temperature Rating:

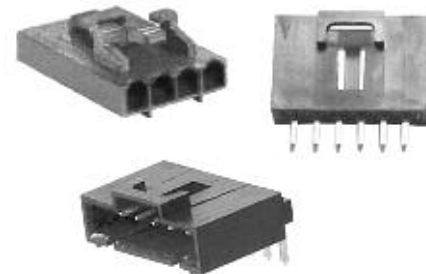
Operating temperature: -25°C to +85°C

PACKAGING:

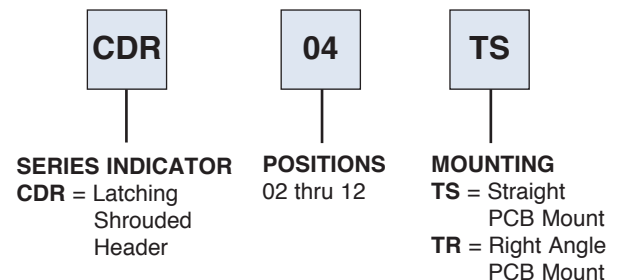
Anti-ESD plastic bags

SAFETY AGENCY APPROVALS:

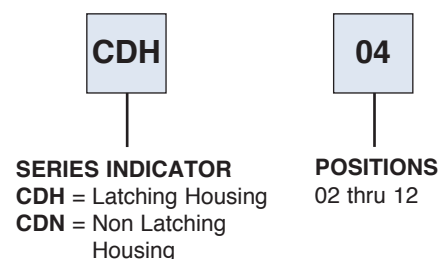
UL Recognized & CSA Certified, File no. E224053



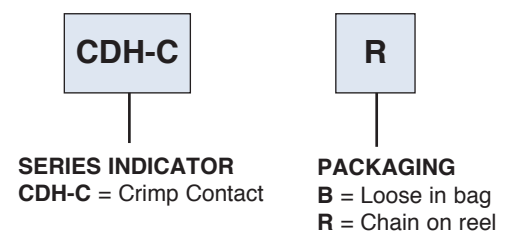
HEADER ORDERING INFORMATION



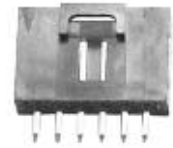
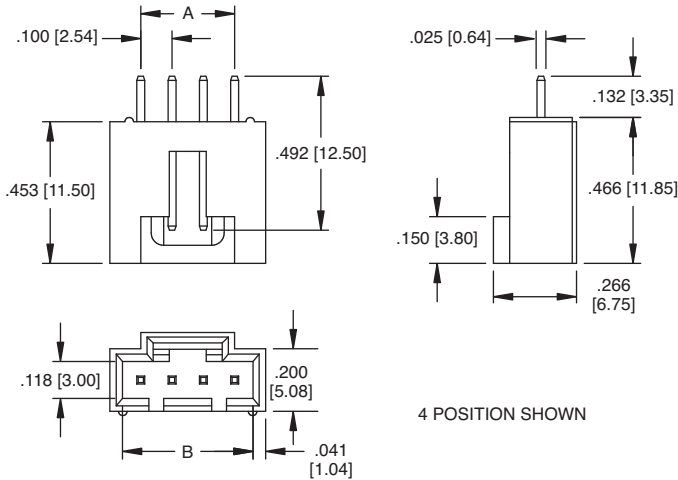
HOUSING ORDERING INFORMATION



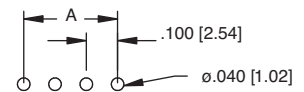
CONTACT ORDERING INFORMATION



**CDR
STRAIGHT PCB MOUNT**



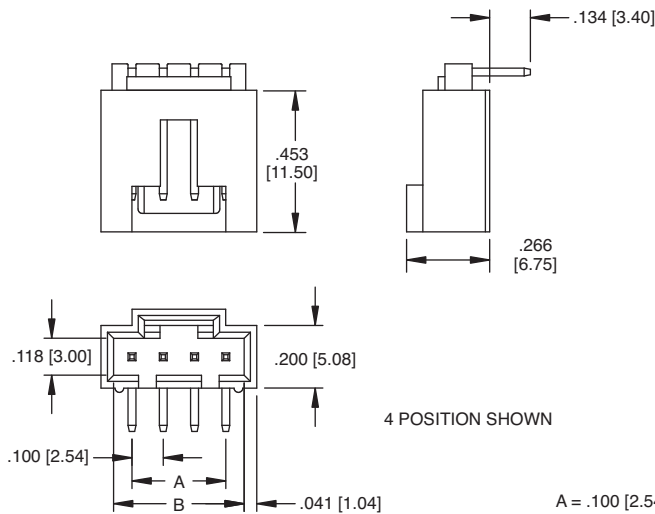
CDR-06-TS



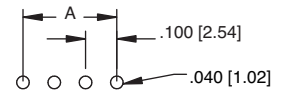
Recommended PCB Layout

A = .100 [2.54] X No. of SPACES
B = .100 [2.54] X No. of SPACES + .200 [5.08]

**CDR
RIGHT ANGLE PCB MOUNT**



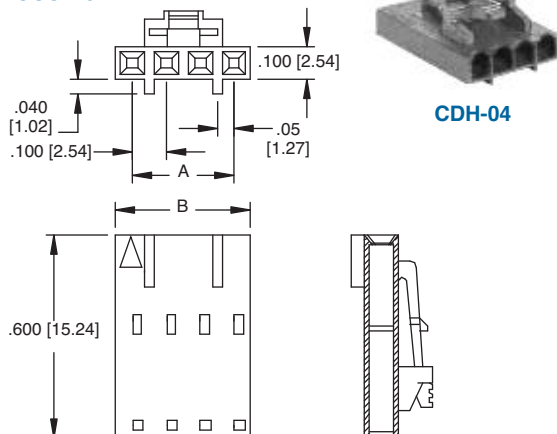
CDR-06-TR



Recommended PCB Layout

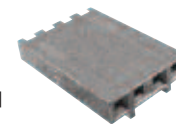
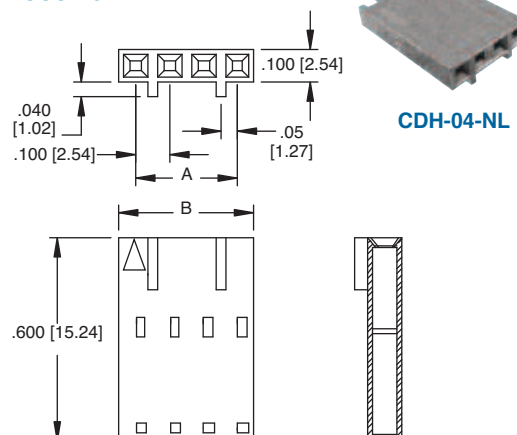
A = .100 [2.54] X No. of SPACES
B = .100 [2.54] X No. of SPACES + .200 [5.08]

**CDH
HOUSING**



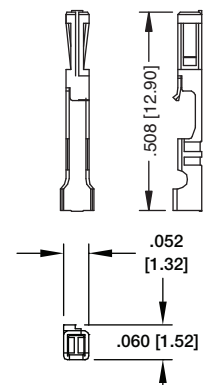
CDH-04

**CDH
HOUSING**



CDH-04-NL

**CDH-C-R
CONTACT**



**Recommended
wire size 24-28 awg.**