

**125CH-A-XX**  
1.25mm CRIMP HOUSING

**125CH-A-10**

A=.049 [1.25] X No. of Positions -1  
B=.049 [1.25] X No. of Positions + .068 [1.75]

**125CTA-R**  
1.25mm CRIMP TERMINAL

**125CTA-R**

Recommended wire size 32-28 awg.

**125SH-A-XX-TS**  
1.25mm VERTICAL HEADER

**125SH-A-04-TS**

A=.049 [1.25] X No. of Positions -1  
B=.049 [1.25] X No. of Positions + .068 [1.75]

**125SH-A-XX-TR**  
1.25mm RIGHT ANGLE HEADER

**125SH-A-04-TR**

A=.049 [1.25] X No. of Positions -1  
B=.049 [1.25] X No. of Positions + .068 [1.75]

**125SH-A-XX-TS-SMT**  
1.25mm VERTICAL SMT HEADER

**125SH-A-04-TS-SMT**

**Recommended PCB Layout**

**125SH-A-XX-TR-SMT**  
1.25mm RIGHT ANGLE SMT HEADER

**125SH-A-04-TR-SMT**

**Recommended PCB Layout**

**125CH-B-XX**  
1.25mm CRIMP HOUSING

**125CH-B-10**

A=.049 [1.25] X No. of Positions -1  
B=.049 [1.25] X No. of Positions + .017 [0.45]  
C=.049 [1.25] X No. of Positions + .068 [1.75]

**125CTB-R**  
1.25mm CRIMP TERMINAL

**125CTB-R**

Recommended wire size 32-28 awg.

**125SH-B-XX-TS**  
1.25mm VERTICAL HEADER

**125SH-B-04-TS**

Recommended PCB Layout

A=.049 [1.25] X No. of Positions -1  
B=.049 [1.25] X No. of Positions + .068 [1.75]

**125SH-B-XX-TS-SMT**  
1.25mm VERTICAL SMT HEADER

**125SH-B-04-TS-SMT**

Recommended PCB Layout

A=.049 [1.25] X No. of Positions -1  
B=.049 [1.25] X No. of Positions + .068 [1.75]  
C=.049 [1.25] X No. of Positions + .202 [5.15]

**125SH-B-XX-TR-SMT**  
1.25mm RIGHT ANGLE SMT HEADER

**125SH-B-04-TR-SMT**

Recommended PCB Layout

A=.049 [1.25] X No. of Positions -1  
B=.049 [1.25] X No. of Positions + .068 [1.75]  
C=.049 [1.25] X No. of Positions + .187 [4.75]

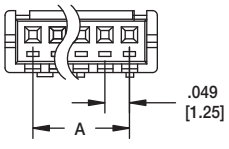
**125SH-B-XX-TR-SMT**  
1.25mm RIGHT ANGLE SMT HEADER

**125SH-B-XX-TR-SMT**

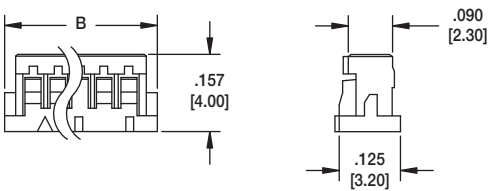
Recommended PCB Layout

A=.049 [1.25] X No. of Positions -1  
B=.049 [1.25] X No. of Positions + .068 [1.75]  
C=.049 [1.25] X No. of Positions + .187 [4.75]

**125CH-C-XX**  
1.25mm CRIMP HOUSING

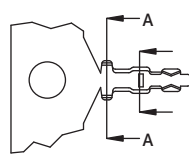
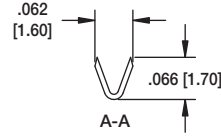
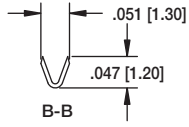
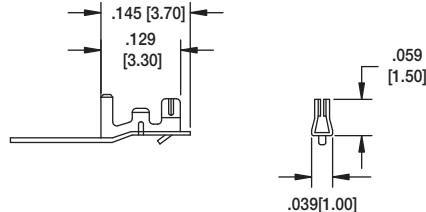


**125CH-C-05**



A=.049 [1.25] X No. of Positions -1  
B=.049 [1.25] X No. of Positions + .065 [1.65]

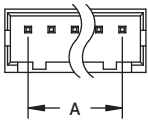
**125CTC-R**  
1.25mm CRIMP TERMINAL

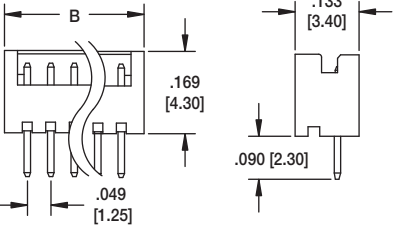
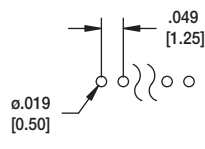
**125CTC-R**

Recommended wire size 28-32 awg.

**125SH-C-XX-TS**  
1.25mm VERTICAL HEADER



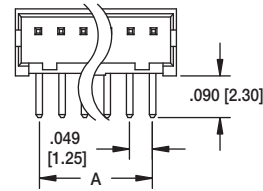
**125SH-C-05-TS**

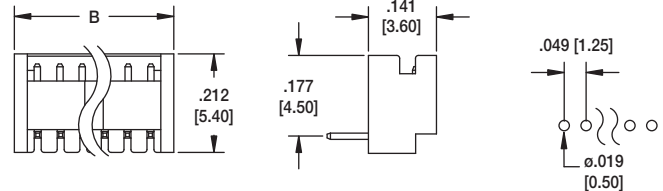
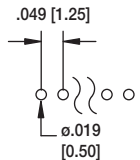
Recommended PCB Layout

A=.049 [1.25] X No. of Positions -1  
B=.049 [1.25] X No. of Positions + .049 [1.25]

**125SH-C-XX-TR**  
1.25mm RIGHT ANGLE HEADER



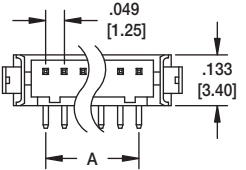
**125SH-C-05-TR**

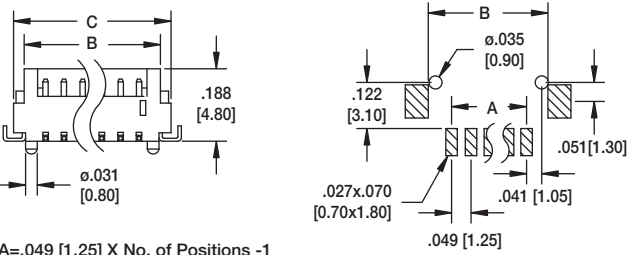
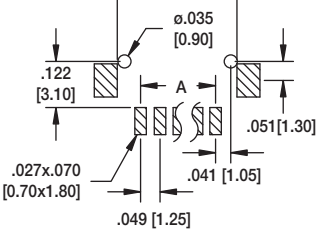
Recommended PCB Layout

A=.049 [1.25] X No. of Positions -1  
B=.049 [1.25] X No. of Positions + .049 [1.25]

**125SH-C-XX-TS-SMT**  
1.25mm VERTICAL SMT HEADER



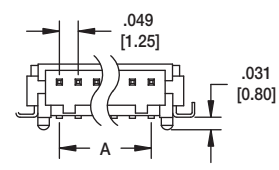
**125SH-C-06-TS-SMT**

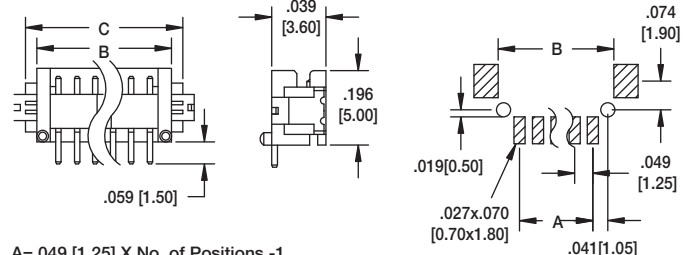
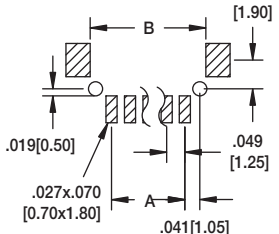
Recommended PCB Layout

A=.049 [1.25] X No. of Positions -1  
B=.049 [1.25] X No. of Positions + .065 [1.65]  
C=.049 [1.25] X No. of Positions + .124 [3.15]

**125SH-C-XX-TR-SMT**  
1.25mm RIGHT ANGLE SMT HEADER



**125SH-C-08-TR-SMT**

Recommended PCB Layout

A=.049 [1.25] X No. of Positions -1  
B=.049 [1.25] X No. of Positions + .065 [1.65]  
C=.049 [1.25] X No. of Positions + .124 [3.15]