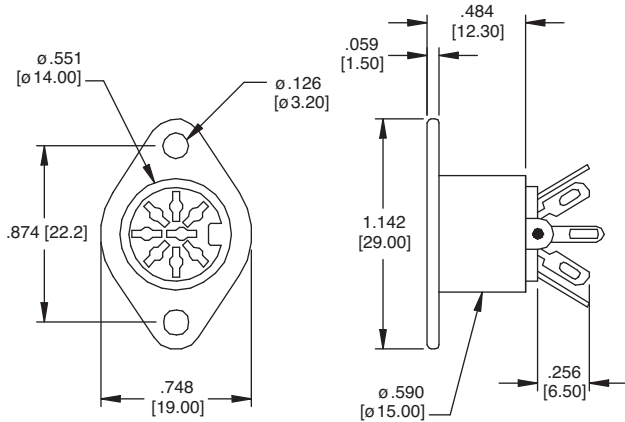


DJP SERIES
PANEL MOUNT DIN JACK WITH
SOLDER EYELETS



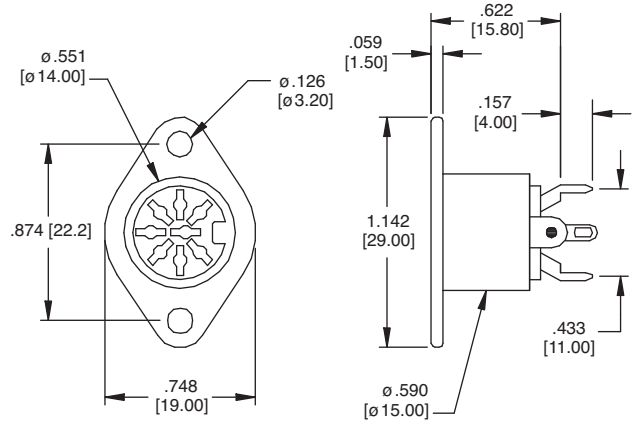
DJP-008-A



DJP SERIES
PCB MOUNT DIN JACK



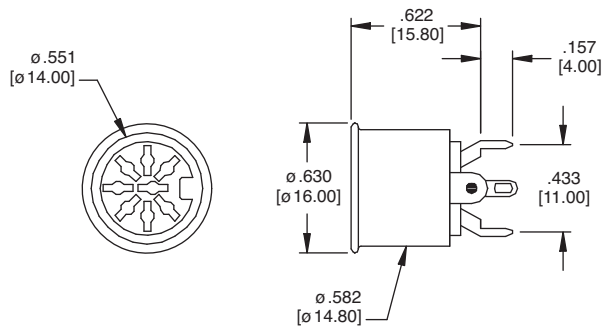
DJP-008-B



DJN SERIES
PCB MOUNT DIN JACK



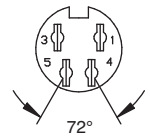
DJN-005-B



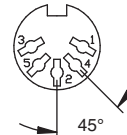
3 Position



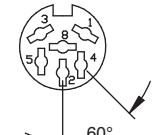
4 Position



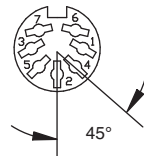
5 Position



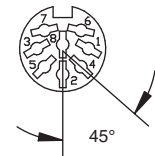
6 Position



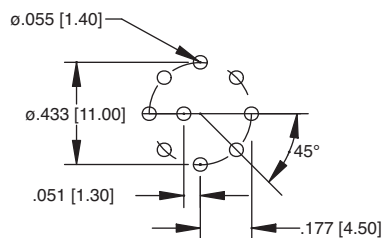
7 Position



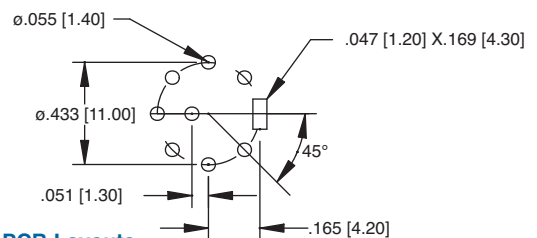
8 Position



DJN Series (Type A)



DJP Series



Recommended PCB Layouts